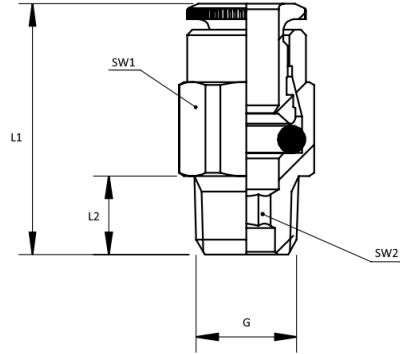


Push-in fittings

STRAIGHT PUSH-IN FITTING (150 bar)



Partnr	PA PIPE	G	L1	L2	SW1	SW2
2833-3000-0405	4	M6x0,75	22	6	10	2,5
2833-3000-0406	4	M6x1	22	6	10	2,5
2833-3000-0408	4	M8x1	20	6	10	3
2833-3000-0409	4	M8x1,25	23	7	10	3
2833-3000-0410	4	M10x1	20	6,5	10	3
2833-3000-0411	4	M10x1,5	22,5	7,5	10	3
2833-3100-0402	4	R1/8	21	6,5	10	3
2833-3100-0404	4	R1/4	26	11	14	3
2833-3000-0605	6	M6x0,75	24,5	6	12	2,5
2833-3000-0606	6	M6x1	24,5	6	12	2,5
2833-3000-0608	6	M8x1	24,5	6	12	3
2833-3000-0609	6	M8x1,25	26	7	12	3
2833-3000-0610	6	M10x1	21,5	6,5	12	3
2833-3000-0611	6	M10x1,5	25	7,5	12	4
2833-3100-0602	6	R1/8	23	7,5	12	3
2833-3100-0604	6	R1/4	26,5	11	14	4

Material: Brass (nickel plated)

Coupling is equipped with HNBR o-ring

Maximum pressure with liquids: 150 bar

Maximum pressure with air: 30 bar

Temperature range:

Min -30° / Max +150°

Threads:

Tapered gas in conformity with ISO7.1, BS21, DIN2999

Metric tapered in conformity with UNI 7707

Connecting hoses:

plastic hoses: PA6, PA66 for high pressure

PA11, PA12, polyethylene, polyurethane PEF, PTFE.