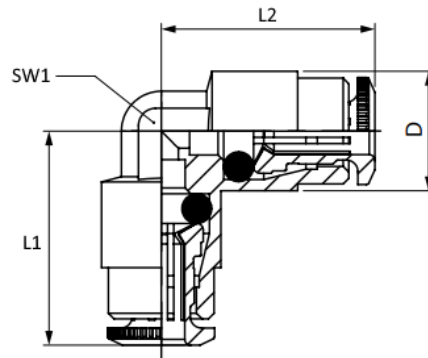


Push-in fittings

PUSH-IN CONNECTOR W (150 bar)



Partnr	PA PIPE	L1	L2	SW1	Ø
2836-3000-0400	4	18	18	8	10,5
2836-3000-0600	6	21	21	10	13

Material: Brass (nickel plated)

Coupling is equipped with HNBR o-ring

Maximum pressure with liquids: 150 bar

Maximum pressure with air: 30 bar

Temperature range:
Min -30° / Max +150°

Threads:
Tapered gas in conformity with ISO7.1, BS21, DIN2999
Metric tapered in conformity with UNI 7707

Connecting hoses:
plastic hoses: PA6, PA66 for high pressure
PA11, PA12, polyethylene, polyurethane PEF, PTFE.