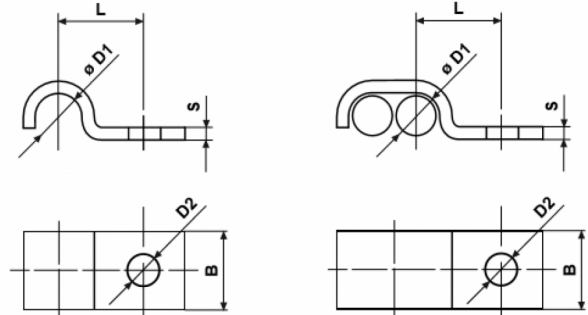


# Fastening- and protection material

## HOSE CLAMP ONE SIDED (DIN72571)



Partnr	Nr / Hose mm	d1	d2	L	B	S	Material
1110-0000-0401	1 x 4 mm	4	4.8	9	10	1	Galvanised
1110-0000-0402	2 x 4 mm	4	4.8	10	10	1	Galvanised
1110-0000-0601	1 x 6 mm	6	4.8	10	10	1	Galvanised
1110-0000-0602	2 x 6 mm	6	4.8	13	10	1	Galvanised
1110-0000-0701	1 x 7 mm	7	4.8	10	10	1	Galvanised
1110-0000-0801	1 x 8 mm	8	4.8	11	10	1	Galvanised
1110-0000-0802	2 x 8 mm	8	4.8	15	10	1	Galvanised
1110-0000-1001	1 x 10 mm	10	4.8	11	10	1	Galvanised
1110-0000-1201	1 x 12 mm	12	5.8	16	12	1.5	Galvanised
1110-2000-0401	1 x 4 mm	4	4.8	9	10	1	Stainless steel 316TI
1110-2000-0801	1 x 8 mm	8	4.8	11	10	1	Stainless steel 316TI
1110-2000-1001	1 x 10 mm	10	4.8	11	10	1	Stainless steel 316TI