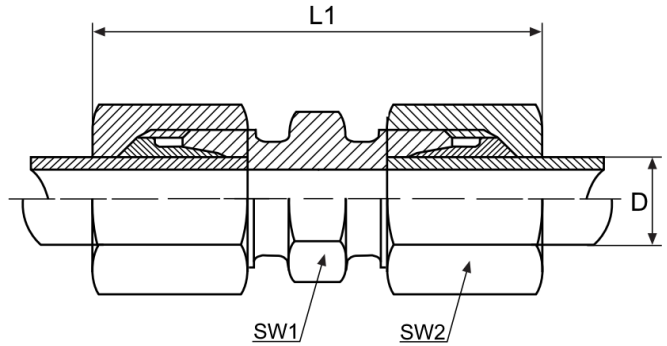


Cutting ring fittings

STRAIGHT CONNECTOR (G)



Partnr	Omschrijving	D	SW1	SW2	Material
0425-0003-0400	G04LL	4	9	10	Zinc-Nickel
0425-0003-0500	G05LL	5	11	12	Zinc-Nickel
0425-0003-0600	G06LL	6	11	12	Zinc-Nickel
0425-0003-0800	G08LL	8	14	17	Zinc-Nickel
0425-0003-0806	G08-06LL	6	12	14	Zinc-Nickel
0425-0003-1000	G10LL	10	17	19	Zinc-Nickel
0425-2003-0400	G04LL	4	9	10	Stainless steel 316Ti
0425-2003-0600	G06LL	6	11	12	Stainless steel 316Ti
0425-2003-0800	G08LL	8	14	17	Stainless steel 316Ti
0425-2003-1000	G10LL	10	17	19	Stainless steel 316Ti

For connecting central lubrication hoses and hydraulic pipes.