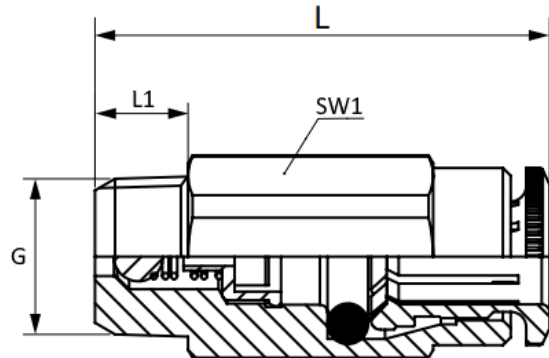


Push-in fittings



Non-return valves - Push-in fittings

STRAIGHT PUSH-IN FITTING WITH VALVE



Material: Brass (nickel plated)

Coupling is equipped with HNBR o-ring

Maximum pressure with liquids: 150 bar

Maximum pressure with air: 30 bar

Temperature range:

Min -30° / Max +150°

Threads:

Tapered gas in conformity with ISO7.1, BS21, DIN2999

Metric tapered in conformity with UNI 7707

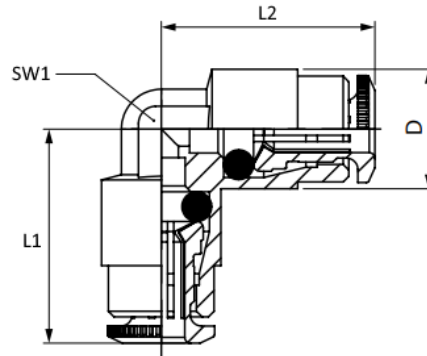
Connecting hoses:

plastic hoses: PA6, PA66 for high pressure

PA11, PA12, polyethylene, polyurethane PEF, PTFE.

Push-in fittings

PUSH-IN CONNECTOR W (150 bar)



Partnr	PA PIPE	L1	L2	SW1	Ø
2836-3000-0400	4	18	18	8	10,5
2836-3000-0600	6	21	21	10	13

Material: Brass (nickel plated)

Coupling is equipped with HNBR o-ring

Maximum pressure with liquids: 150 bar

Maximum pressure with air: 30 bar

Temperature range:

Min -30° / Max +150°

Threads:

Tapered gas in conformity with ISO7.1, BS21, DIN2999

Metric tapered in conformity with UNI 7707

Connecting hoses:

plastic hoses: PA6, PA66 for high pressure

PA11, PA12, polyethylene, polyurethane PEF, PTFE.

Push-in fittings

PUSH-IN CONNECTOR T (150 bar)



PA PIPE	L1	L2	SW1	Ø
6	41	21	10	13
4	36	18	8	10,5

Material: Brass (nickel plated)

Coupling is equipped with HNBR o-ring

Maximum pressure with liquids: 150 bar

Maximum pressure with air: 30 bar

Temperature range:

Min -30° / Max +150°

Threads:

Tapered gas in conformity with ISO7.1, BS21, DIN2999

Metric tapered in conformity with UNI 7707

Connecting hoses:

plastic hoses: PA6, PA66 for high pressure

PA11, PA12, polyethylene, polyurethane PEF, PTFE.

Non-return valves - Push-in fittings

STRAIGHT PUSH-IN FITTING WITH VALVE (LINCOLN)



Partnr	PA PIPE	G	L1	L2	L3	SW1
2833-3001-0410	4	M10x1	37	14	6,5	10
2833-3001-0610	6	M10x1	37,5	14	6,5	12

Material: Brass (nickel plated)

Coupling is equipped with HNBR o-ring

Maximum pressure with liquids: 150 bar

Maximum pressure with air: 30 bar

Temperature range:

Min -30° / Max +150°

Threads:

Tapered gas in conformity with ISO7.1, BS21, DIN2999

Metric tapered in conformity with UNI 7707

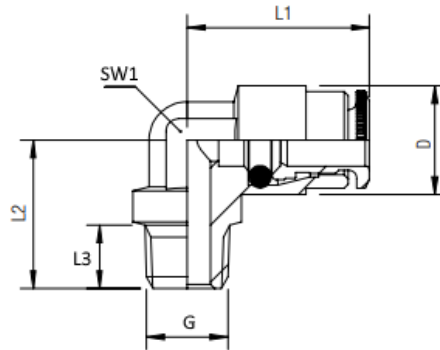
Connecting hoses:

plastic hoses: PA6, PA66 for high pressure

PA11, PA12, polyethylene, polyurethane PEF, PTFE.

Push-in fittings

ELBOW PUSH-IN FITTING (150 bar)



Partnr	PA PIPE	G	L1	L2	L3	SW1	D
2839-3000-0405	4	M6x0,75	18	15	6	8	10,5
2839-3000-0406	4	M6x1	18	15	6	8	10,5
2839-3000-0408	4	M8x1	18	15	6	8	10,5
2839-3000-0409	4	M8x1,25	18	15	7	8	10,5
2839-3000-0410	4	M10x1	18	15	6,5	8	10,5
2839-3000-0411	4	M10x1,5	18	16,5	7,5	8	10,5
2839-3100-0402	4	R1/8	18	16,5	7,5	8	10,5
2839-3100-0404	4	R1/4	18	21,5	11	8	10,5
2839-3000-0605	6	M6x0,75	21	17	6	10	13
2839-3000-0606	6	M6x1	21	17	6	10	13
2839-3000-0608	6	M8x1	21	17	6	10	13
2839-3000-0609	6	M8x1,25	21	18	7	10	13
2839-3000-0610	6	M10x1	21	17	6,5	10	13
2839-3000-0611	6	M10x1,5	21	17	7,5	10	13
2839-3100-0602	6	R1/8	21	17,5	7,5	10	13
2839-3100-0604	6	R1/4	21	21,5	7,5	10	13

Material: Brass (nickel plated)

Coupling is equipped with HNBR o-ring

Maximum pressure with liquids: 150 bar

Maximum pressure with air: 30 bar

Temperature range:

Min -30° / Max +150°

Threads:

Tapered gas in conformity with ISO7.1, BS21, DIN2999

Metric tapered in conformity with UNI 7707

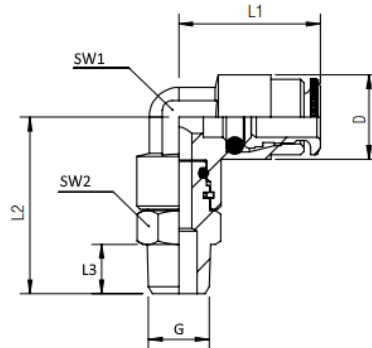
Connecting hoses:

plastic hoses: PA6, PA66 for high pressure

PA11, PA12, polyethylene, polyurethane PEF, PTFE.

Push-in fittings

ELBOW PUSH-IN FITTING ROTATABLE (150 bar)



Partnr	PA PIPE	G	L1	L2	L3	SW1	SW2	D
2837-3000-0406	4	M6x1	18	22,5	6	8	11	10,5
2837-3000-0408	4	M8x1	18	22,5	6	8	11	10,5
2837-3000-0409	4	M8x1,25	18	26,5	7	8	11	10,5
2837-3000-0410	4	M10x1	18	22,5	6,5	8	11	10,5
2837-3000-0411	4	M10x1,5	18	26,5	7,5	8	11	10,5
2837-3100-0402	4	R1/8	18	24	7,5	8	11	10,5
2837-3100-0404	4	R1/4	18	26,5	11	8	14	10,5
2837-3000-0606	6	M6x1	21	25,5	6	10	11	13
2837-3000-0608	6	M8x1	21	25,5	6	10	11	13
2837-3000-0609	6	M8x1,25	21	26,5	7	10	11	13
2837-3000-0610	6	M10x1	21	22,5	6,5	10	11	13
2837-3000-0611	6	M10x1,5	18	27	7,5	10	11	13
2837-3100-0602	6	R1/8	21	27	7,5	10	11	13
2837-3100-0604	6	R1/4	18	30	11	10	14	13

Material: Brass (nickel plated)

Coupling is equipped with HNBR o-ring

Maximum pressure with liquids: 150 bar

Maximum pressure with air: 30 bar

Temperature range:
Min -30° / Max +150°

Threads:

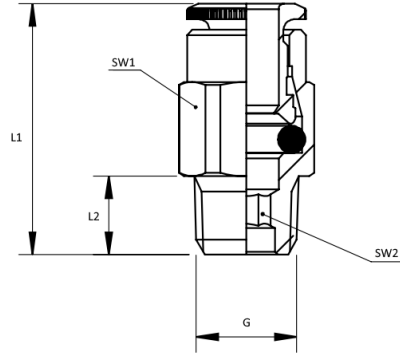
Tapered gas in conformity with ISO7.1, BS21, DIN2999
Metric tapered in conformity with UNI 7707

Connecting hoses:

plastic hoses: PA6, PA66 for high pressure
PA11, PA12, polyethylene, polyurethane PEF, PTFE.

Push-in fittings

STRAIGHT PUSH-IN FITTING (150 bar)



Partnr	PA PIPE	G	L1	L2	SW1	SW2
2833-3000-0405	4	M6x0,75	22	6	10	2,5
2833-3000-0406	4	M6x1	22	6	10	2,5
2833-3000-0408	4	M8x1	20	6	10	3
2833-3000-0409	4	M8x1,25	23	7	10	3
2833-3000-0410	4	M10x1	20	6,5	10	3
2833-3000-0411	4	M10x1,5	22,5	7,5	10	3
2833-3100-0402	4	R1/8	21	6,5	10	3
2833-3100-0404	4	R1/4	26	11	14	3
2833-3000-0605	6	M6x0,75	24,5	6	12	2,5
2833-3000-0606	6	M6x1	24,5	6	12	2,5
2833-3000-0608	6	M8x1	24,5	6	12	3
2833-3000-0609	6	M8x1,25	26	7	12	3
2833-3000-0610	6	M10x1	21,5	6,5	12	3
2833-3000-0611	6	M10x1,5	25	7,5	12	4
2833-3100-0602	6	R1/8	23	7,5	12	3
2833-3100-0604	6	R1/4	26,5	11	14	4

Material: Brass (nickel plated)

Coupling is equipped with HNBR o-ring

Maximum pressure with liquids: 150 bar

Maximum pressure with air: 30 bar

Temperature range:

Min -30° / Max +150°

Threads:

Tapered gas in conformity with ISO7.1, BS21, DIN2999

Metric tapered in conformity with UNI 7707

Connecting hoses:

plastic hoses: PA6, PA66 for high pressure

PA11, PA12, polyethylene, polyurethane PEF, PTFE.

Push-in fittings

STRAIGHT PUSH-IN CONNECTOR (150 bar)



Partnr	PA PIPE	L	∅
2835-3000-0400	4	35	11
2835-3000-0600	6	35	13

Material: Brass (nickel plated)

Coupling is equipped with HNBR o-ring

Maximum pressure with liquids: 150 bar

Maximum pressure with air: 30 bar

Temperature range:

Min -30° / Max +150°

Threads:

Tapered gas in conformity with ISO7.1, BS21, DIN2999

Metric tapered in conformity with UNI 7707

Connecting hoses:

plastic hoses: PA6, PA66 for high pressure

PA11, PA12, polyethylene, polyurethane PEF, PTFE.

