

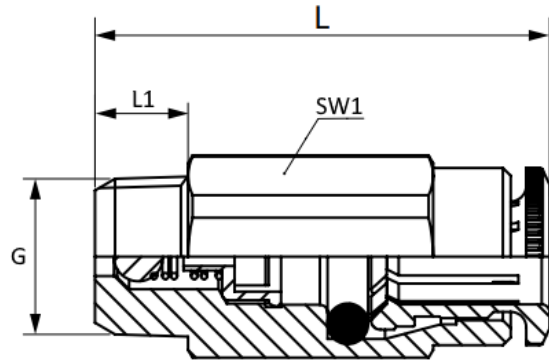


Non-return valves



Non-return valves - Push-in fittings

STRAIGHT PUSH-IN FITTING WITH VALVE



Partnr	PA PIPE	G	L	L1	SW1
2833-3002-0410	4	M10x1	6	37	10
2833-3002-0610	6	M10x1	6	37,5	12

Material: Brass (nickel plated)

Coupling is equipped with HNBR o-ring

Maximum pressure with liquids: 150 bar

Maximum pressure with air: 30 bar

Temperature range:

Min -30° / Max +150°

Threads:

Tapered gas in conformity with ISO7.1, BS21, DIN2999

Metric tapered in conformity with UNI 7707

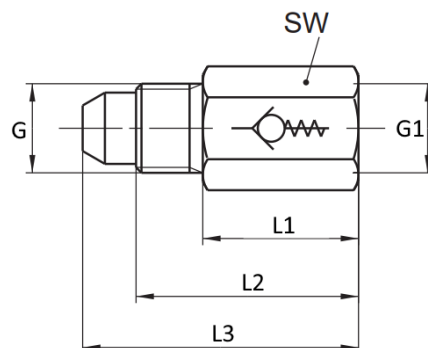
Connecting hoses:

plastic hoses: PA6, PA66 for high pressure

PA11, PA12, polyethylene, polyurethane PEF, PTFE.

Non-return valves

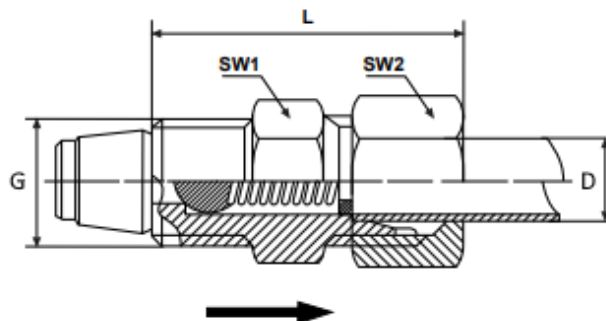
NON RETURN VALVE DOUBLE CONE DRIVES BEKA



Partnr	G	G1	L1	L2	L3	SW	Material
0413-0015-0610	M10x1	M10x1	17,5		31	12	Zinc-nickel

Non-return valves

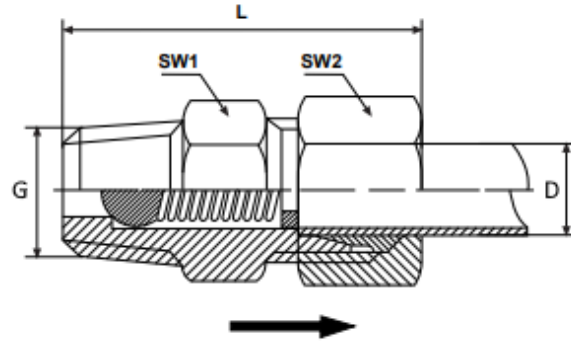
NON RETURN VALVE LINCOLN



Partnr	G	D	L	SW1	SW2	Material
0413-0010-0610	M10x1	6	32,5	11	12	Zinc-iron
0413-2010-0610	M10x1	6	32,5	11	12	Stainless steel 316TI

Non-return valves

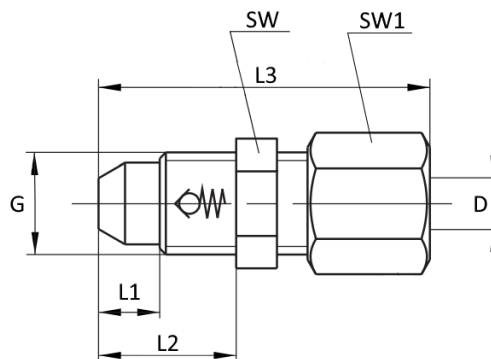
NON RETURN VALVE SKF



Partnr	G	D	L	SW1	SW2	Material
0413-0009-0410	M10x1	4	29	11	10	Zinc-nickel
0413-0009-0610	M10x1	6	29	11	12	Zinc-nickel

Non-return valves

NON RETURN VALVE BEKA



Partnr

G

D

SW

SW1

Material

0413-0007-0610

M10x1

6

11

12

Zinc-nickel

Non-return valves - Push-in fittings

STRAIGHT PUSH-IN FITTING WITH VALVE (LINCOLN)



Partnr	PA PIPE	G	L1	L2	L3	SW1
2833-3001-0410	4	M10x1	37	14	6,5	10
2833-3001-0610	6	M10x1	37,5	14	6,5	12

Material: Brass (nickel plated)

Coupling is equipped with HNBR o-ring

Maximum pressure with liquids: 150 bar

Maximum pressure with air: 30 bar

Temperature range:

Min -30° / Max +150°

Threads:

Tapered gas in conformity with ISO7.1, BS21, DIN2999

Metric tapered in conformity with UNI 7707

Connecting hoses:

plastic hoses: PA6, PA66 for high pressure

PA11, PA12, polyethylene, polyurethane PEF, PTFE.

