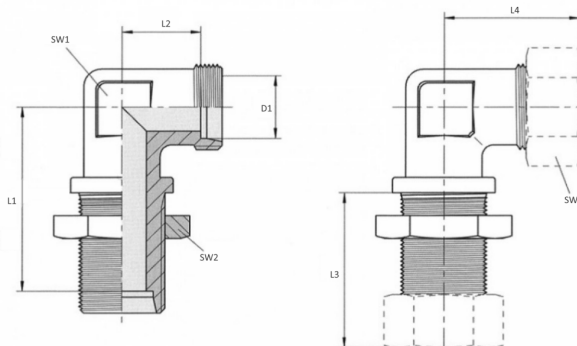


Cutting ring fittings



Cutting ring fittings

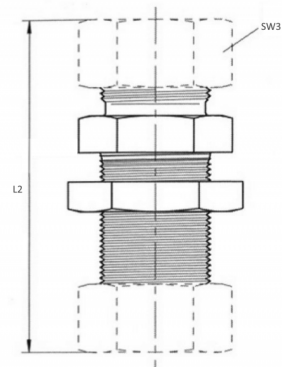
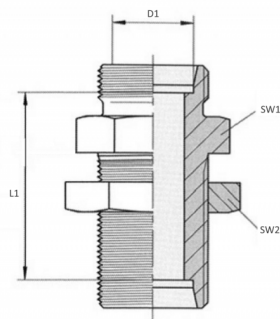
ELBOW BULKHEAD FITTING



Partnr	D1	L1	L2	L3	L4	SW1	SW2	SW3	Serie	Material
0430-0023-0600	6	41	12	42	27	12	17	14	L	Zinc-nickel
0430-0023-0800	8	44	14	42	29	12	19	17	L	Zinc-nickel
0430-0023-1000	10	46	15	43	30	14	22	19	L	Zinc-nickel
0430-0023-1200	12	49	17	44	32	17	24	22	L	Zinc-nickel
0430-2023-0600	6	41	12	42	27	12	17	14	L	Stainless steel 316TI
0430-2023-0800	8	44	14	42	29	12	19	17	L	Stainless steel 316TI
0430-2023-1000	10	46	15	43	30	14	22	19	L	Stainless steel 316TI
0430-2023-1200	12	49	17	44	32	17	24	19	L	Stainless steel 316TI

Cutting ring fittings

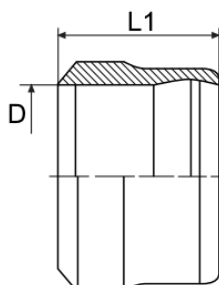
STRAIGHT BULKHEAD FITTING (SV)



Partnr	D1	L1	L2	SW1	SW2	SW3	Serie	Material
0429-0023-0600	6	34	64	17	17	14	L	Zinc-nickel
0429-0023-0800	8	35	65	19	19	17	L	Zinc-nickel
0429-0023-1000	10	38	68	22	22	19	L	Zinc-nickel
0429-0023-1200	12	39	69	24	24	22	L	Zinc-nickel
0429-2023-0600	6	34	64	17	17	14	L	Stainless steel 316TI
0429-2023-0800	8	35	65	19	19	17	L	Stainless steel 316TI
0429-2023-1000	10	38	68	22	22	19	L	Stainless steel 316TI
0429-2023-1200	12	39	69	24	24	22	L	Stainless steel 316TI

Cutting ring fittings

CUTTING RINGS DIN3861

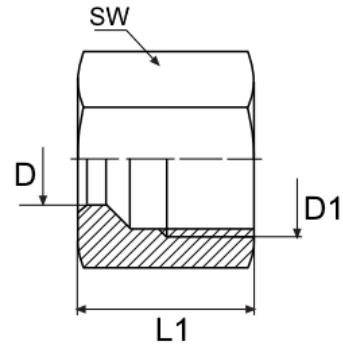


Partnr	D	Serie	L	Material
0401-0000-0400	4	LL	6	Galvanised
0401-0000-0600	6	LL	7	Zinc-nickel
0401-0010-0600	6	L / S	9,45	Galvanised
0401-0000-0800	8	LL	7,35	Galvanised
0401-0010-0800	8	L / S	9,48	Galvanised
0401-0000-1000	10	LL	7,2	Galvanised
0401-0010-1000	10	L / S	9,5	Galvanised
0401-2000-0400	4	LL	6	Stainless steel 316TI
0401-2000-0600	6	LL	7	Stainless steel 316TI
0401-2010-0600	6	L / S	9,45	Stainless steel 316TI
0401-2000-0800	8	LL	7,35	Stainless steel 316TI
0401-2010-0800	8	L / S	9,48	Stainless steel 316TI
0401-2010-1000	10	L / S	9,5	Stainless steel 316TI
0401-3000-0400	4	LL	6	Brass
0401-3000-0600	6	LL	7	Brass

Produced according to DIN3861 standards.

Cutting ring fittings

NUT (DIN 2353)

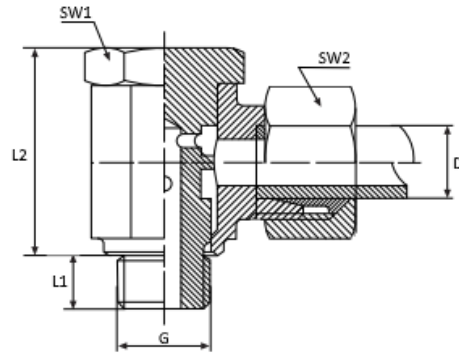


Partnr	D	Serie	D1	L1	SW	Material
0402-0000-0400	4	LL	M8x1	11	10	Zinc-nickel
0402-0000-0500	5	LL	M10x1	11,5	12	Zinc-nickel
0402-0000-0600	6	LL	M10x1	11,5	12	Zinc-nickel
0402-0001-0600	6	LL	M10x1	11,5	12	Zinc-iron
0402-0000-0800	8	LL	M12x1	12	14	Zinc-nickel
0402-0000-1000	10	LL	M14x1	13	17	Zinc-nickel
0402-0020-0600	6	L	M12x1,5	14,5	14	Zinc-nickel
0402-0020-0800	8	L	M14x1,5	14,5	17	Zinc-nickel
0402-0020-1000	10	L	M16x1,5	15,5	19	Zinc-nickel
0402-2000-0400	4	LL	M8x1	11	10	Stainless steel 316TI
0402-2000-0600	6	LL	M10x1	11,5	12	Stainless steel 316TI
0402-2000-0800	8	LL	M12x1	12	14	Stainless steel 316TI
0402-2020-0600	6	L	M12x1,5	13	14	Stainless steel 316TI
0402-2020-0800	8	L	M14x1,5	14,5	17	Stainless steel 316TI
0402-2020-1000	10	L	M16x1,5	15,5	19	Stainless steel 316TI
0402-3000-0600	6	LL	M10x1	11,5	12	Brass

Available in different sizes and suitable for various cutting ring couplings. Also available in brass version in size M06LL.

Cutting ring fittings

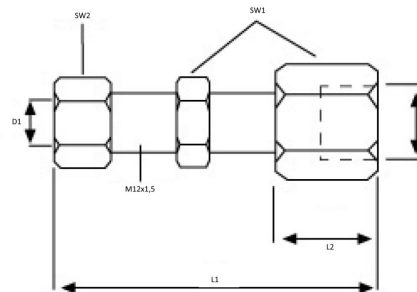
ELBOW SWIVEL (SWV)



Partnr	Description	G	D	L1	L2	SW1	SW2	Serie	Material
0451-0003-0406	SWV4 LLM 6	M6x1	4	6	18,5	14	10	LL	Zinc-nickel
0451-0003-0408	SWV4 LLM 8	M8x1	4	6	18,5	14	10	LL	Zinc-nickel
0451-0003-0608	SWV6 LLM 8	M8x1	6	6	20	14	12	LL	Zinc-nickel
0451-0003-0610	SWV6 LLM 10	M10x1	6	6	20	14	12	LL	Zinc-nickel
0451-0003-0810	SWV8 LLM 10	M10x1	8	6	22	14	12	LL	Zinc-nickel
0451-0103-0402	SWV4 LLR 1/8	R1/8	4	6	18,5	14	10	LL	Zinc-nickel
0451-0103-0602	SWV6 LLR 1/8	R1/8	6	6	20	14	12	LL	Zinc-nickel
0451-0103-0802	SWV8 LLR 1/8	R1/8	8	6	22	14	14	LL	Zinc-nickel
0451-2103-0402	SWV4 LLR 1/8	R1/8	4	6	18,5	14	10	LL	Stainless steel 316TI
0451-2103-0602	SWV6 LLR 1/8	R1/8	6	6	20	14	12	LL	Stainless steel 316TI
0451-2103-0802	SWV8 LLR 1/8	R1/8	8	6	22	14	14	LL	Stainless steel 316TI

Cutting ring fittings

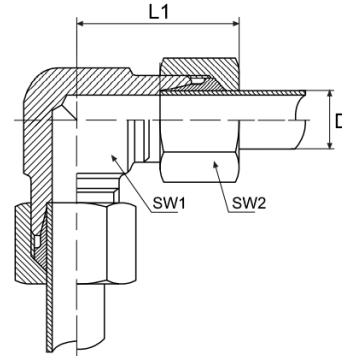
STRAIGHT BULKHEAD FITTING (SV) WITH FEMALE THREAD



Partnr	D	D1	L1	L2	SW1	SW2	Serie	Material
0429-0023-0608	M8x1	6	66	20	17	14	L	Zinc-nickel
0429-0023-0610	M10x1	6	66	20	17	14	L	Zinc-nickel

Cutting ring fittings

ELBOW CONNECTOR 90° (W)



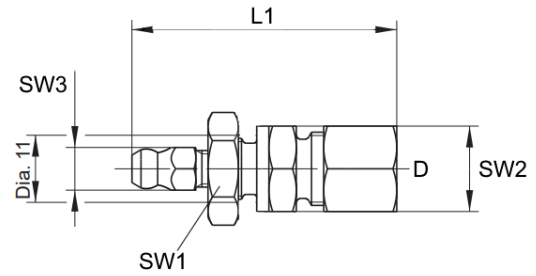
Partnr	D	Serie	SW1	SW2	L1	Material
0426-0003-0400	4	LL	9	10	21	Zinc-nickel
0426-0003-0600	6	LL	11	12	21	Zinc-nickel
0426-0003-0800	8	LL	12	14	23	Zinc-nickel
0426-0023-0600	6	L	12	14	27	Zinc-nickel
0426-0023-0800	8	L	14	17	29	Zinc-nickel
0426-0023-1000	10	L	17	19	30	Zink Nickel
0426-2003-0400	4	LL	9	10	21	Stainless steel 316TI
0426-2003-0600	6	LL	11	12	21	Stainless steel 316TI
0426-2003-0800	8	LL	12	14	23	Stainless steel 316TI
0426-2023-0600	6	L	12	14	27	Stainless steel 316TI
0426-2023-0800	8	L	14	17	29	Stainless steel 316TI
0426-2023-1000	10	L	17	19	30	Stainless steel 316TI

This right angle connecting coupling is available in several sizes as can be found in the table below.

Produced according to DIN2353 standards.

Cutting ring fittings

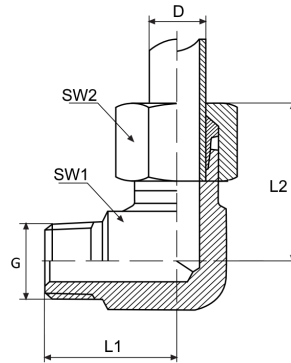
STRAIGHT BULKHEAD FITTING WITH GREASE NIPPLE



Partnr	Description	D	L1	SW1	SW2	SW3	Serie
0413-0023-0611	GE06LM10	6	43.5	17	14	7	L

Cutting ring fittings

ELBOW SCREW FITTING (WE)



Partnr	Omschrijving	D	Serie	G	SW1	SW2	L1	L2	Material
0419-0003-0406	WE04 LL M6x1	4	LL	M6x1 con	9	10	17	21	Zinc-nickel
0419-0003-0408	WE04 LL M8x1	4	LL	M8x1 con	9	10	17	21	Zinc-nickel
0419-0003-0410	WE04 LL M10x1	4	LL	M10x1 con	11	10	17	21	Zinc-nickel
0419-0103-0402	WE04 LL R1/8	4	LL	R1/8 BSP con	9	10	17	21	Zinc-nickel
0419-0003-0606	WE06 LL M6x1	6	LL	M6x1 con	11	12	17	22	Zinc-nickel
0419-0003-0608	WE06 LL M8x1	6	LL	M8x1 con	11	12	17	22	Zinc-nickel
0419-0003-0610	WE06 LL M10x1	6	LL	M10x1 con	11	12	17	22	Zinc-nickel
0419-0103-0602	WE06 LL R1/8	6	LL	R1/8 BSP con	11	12	17	22	Zinc-nickel
0419-0004-0408	WE04 LL M8x1,25	4	LL	M8x1,25 con	9	10	17	21	Zinc-nickel
0419-0004-0608	WE06 LL M8x1,25	6	LL	M8x1,25 con	11	12	17	22	Zinc-nickel
0419-0003-0810	WE08 LL M10x1	8	LL	M10x1 con	12	14	17	25	Zinc-nickel
0419-0103-0802	WE08 LL R1/8	8	LL	R1/8 BSP con	11	12	17	22	Zinc-nickel
0419-0123-0602	WE06 L R1/8	6	LL	R1/8 BSP con	12	14	21	29	Zinc-nickel
0419-0123-0604	WE06 L R1/4	6	LL	R1/4 BSP con	14	14	26	28,5	Zinc-nickel
0419-2003-0406	WE04 LL M6x1	4	LL	M6x1 con	9	10	17	21	Stainless steel 316TI
0419-2003-0408	WE04 LL M8x1	4	LL	M8x1 con	9	10	17	21	Stainless steel 316TI
0419-2003-0410	WE04 LL M10x1	4	LL	M10x1 con	9	10	17	22	Stainless steel 316TI
0419-2103-0402	WE04 LL R1/8	4	LL	R1/8 BSP con	9	10	17	21	Stainless steel 316TI
0419-2003-0606	WE06 LL M6x1	6	LL	M6x1 con	11	12	17	22	Stainless steel 316TI
0419-2003-0608	WE06 LL M8x1	6	LL	M8x1 con	11	12	17	22	Stainless steel 316TI
0419-2003-0610	WE06 LL M10x1	6	LL	M10x1 con	11	12	17	22	Stainless steel 316TI
0419-2103-0602	WE06 LL R1/8	6	LL	R1/8 BSP con	9	12	17	22	Stainless steel 316TI

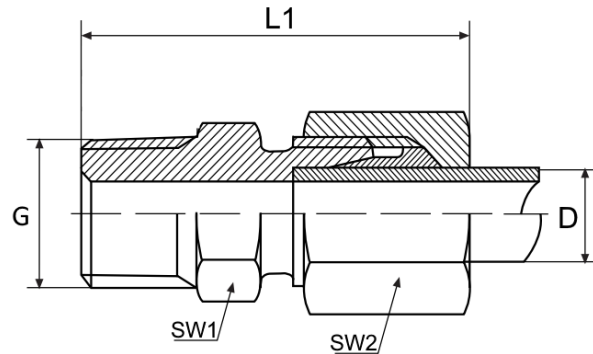
Partnr	Omschrijving	D	Serie	G	SW1	SW2	L1	L2	Material
0419-2003-0806	WE08 LL M6x1	8	LL	M6x1 con	12	14	21	25	Stainless steel 316TI
0419-2003-0808	WE08 LL M8x1	8	LL	M8x1 con	12	14	21	25	Stainless steel 316TI
0419-2003-0810	WE08 LL M10x1	8	LL	M10x1 con	12	14	17	25	Stainless steel 316TI
0419-2103-0802	WE08 LL R1/8	8	LL	R1/8 BSP con	12	14	21	25	Stainless steel 316TI

For the perpendicular connection of lubrication lines and hoses to your central lubrication system. This coupling, which is fully compliant with DIN 2353, is available in various sizes and designs, including BEKA, LINCOLN and SKF variants. The different sizes and variants can be found in the table below.

Material: Zinc-Nickel, stainless steel 316TI

Cutting ring fittings

STRAIGHT SCREW FITTING (GE)



Partnr	Omschrijving	D	Serie	G	SW1	SW2	L1	Material
0413-0004-0406	GE04 LL M6x0,75	4	LL	M6x0.75 con	9	10	26	Zinc-nickel
0413-0003-0406	GE04 LL M6x1	4	LL	M6x1 con	9	10	26	Zinc-nickel
0413-0007-0406	GE04 LL M6x1 KORT	4	LL	M6x1 con	9	10	24	Zinc-nickel
0413-0003-0408	GE04 LL M8x1	4	LL	M8x1 con	10	10	26	Zinc-nickel
0413-0004-0408	GE04 LL M8x1,25	4	LL	M8x1,25 con	10	10	26	Zinc-nickel
0413-0003-0410	GE04 LL M10x1	4	LL	M10x1 con	11	10	26	Zinc-nickel
0413-0003-0508	GE05 LL M8x1	5	LL	M8x1 con	10	10	26	Zinc-nickel
0413-0003-0606	GE06 LL M6x1	6	LL	M6x1 con	11	12	26	Zinc-nickel
0413-0003-0608	GE06 LL M8x1	6	LL	M8x1 con	11	12	26	Zinc-nickel
0413-0004-0608	GE06 LL M8x1,25	6	LL	M8x1,25 con	11	12	26	Zinc-nickel
0413-0003-0610	GE06 LL M10x1	6	LL	M10x1 con	11	12	26	Zinc-nickel
0413-0103-0402	GE04 LL R1/8	4	LL	R1/8 BSP con	11	10	26	Zinc-nickel
0413-0107-0402	GE04 LL R1/8 CYL	4	LL	R1/8 BSP cyl	14	10	28	Zinc-nickel
0413-0103-0502	GE05 LL R1/8	5	LL	R1/8 BSP con	11	10	26	Zinc-nickel
0413-0103-0602	GE06 LL R1/8	6	LL	R1/8 BSP con	11	12	26	Zinc-nickel
0413-0104-0602	GE06 LL R1/8 CYL	6	LL	R1/8 BSP cyl	14	12	27,5	Zinc-nickel
0413-0103-0802	GE08 LL R1/8	8	LL	R1/8 BSP con	11	14	28	Zinc-nickel
0413-0103-0804	GE08 LL R1/4	8	LL	R1/4 BSP con	14	14	32,5	Galvanised
0413-0003-0810	GE08 LL M10x1	8	LL	M10x1 con	12	14	28	Zinc-nickel
0413-0123-0604	GE06 LR 1/4	6	L	R1/4 BSP cyl	19	14	39	Zinc-nickel
0413-0023-0610	GE06 L M10x1	6	L	M10x1 cyl	14	14	34	Zinc-nickel
0413-0023-0614	GE06 L M14x1	6	L	M14x1 cyl	19	14	39	Zinc-nickel

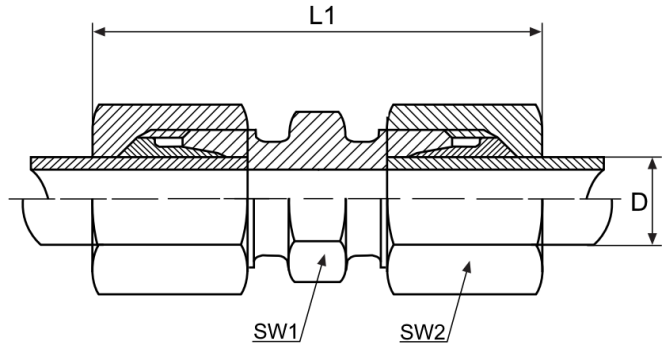
Partnr	Omschrijving	D	Serie	G	SW1	SW2	L1	Material
0413-0123-0602	GE06 LR 1/8	6	L	R1/8 BSP cyl	14	14	34	Zinc-nickel
0413-0123-0606	GE06 LR 3/8	6	L	R3/8 BSP cyl	22	14	40	Zinc-nickel
0413-0123-0802	GE08 LR 1/8	8	L	R1/8 BSP cyl	14	17	35	Zinc-nickel
0413-0123-0804	GE08 LR 1/4	8	L	R1/4 BSP cyl	19	17	40	Zinc-nickel
0413-0023-0810	GE08 L M10x1	8	L	M10x1 cyl	14	16	35	Zinc-nickel
0413-0023-1010	GE10 L M10x1	10	L	M10x1 cyl	17	19	35	Zinc-nickel
0413-0123-1004	GE10 LR 1/4	10	L	R1/4 BSP cyl	19	19	40	Zinc-nickel
0413-0123-1002	GE10 LR 1/8	10	L	R1/8 BSP cyl	17	19	36,5	Zinc-nickel
0413-2003-0406	GE04 LL M6x1	4	LL	M6x1 con	9	10	26	Stainless steel 316Ti
0413-2003-0408	GE04 LL M8x1	4	LL	M8x1 con	10	10	26	Stainless steel 316Ti
0413-2003-0410	GE04 LL M10x1	4	LL	M10x1 con	10	12	26	Stainless steel 316Ti
0413-2004-0410	GE04 LL M10x1 CYL	4	LL	M10x1 cyl	14	10	28	Stainless steel 316Ti
0413-2103-0402	GE04 LL R1/8	4	LL	R1/8 BSP con	11	10	28	Stainless steel 316Ti
0413-2104-0402	GE04 LL R1/8 CYL	4	LL	R1/8 BSP cyl	11	10	28	Stainless steel 316Ti
0413-2003-0606	GE06 LL M6x1	6	LL	M6x1 con	11	12	26	Stainless steel 316Ti
0413-2003-0608	GE06 LL M8x1	6	LL	M8x1 con	11	12	28	Stainless steel 316Ti
0413-2004-0608	GE06 LL M8x1,25	6	LL	M8x1,25 con	11	12	28	Stainless steel 316Ti
0413-2003-0610	GE08 LL M10x1	6	LL	M10x1 con	11	12	26	Stainless steel 316Ti
0413-2004-0610	GE06 LL M10x1 CYL	6	LL	M10x1 cyl	14	12	30	Stainless steel 316Ti
0413-2103-0602	GE06 LL R1/8	6	LL	R1/8 BSP con	11	12	28	Stainless steel 316Ti
0413-2104-0602	GE06 LL R1/8 CYL	6	LL	R1/8 BSP cyl	14	12	29,5	Stainless steel 316Ti
0413-2023-0610	GE06 L M10x1	6	L	M10x1 cyl	14	14	34	Stainless steel 316Ti
0413-2003-0806	GE08 LL M6x1	8	LL	M6x1 con	12	14	30	Stainless steel 316Ti
0413-2003-0808	GE08 LL M8x1	8	LL	M8x1 con	12	14	30	Stainless steel 316Ti
0413-2003-0810	GE08 LL M10x1	8	LL	M10x1 con	12	14	30	Stainless steel 316Ti
0413-2103-0802	GE08 LL R1/8	8	LL	R1/8 BSP con	12	14	30	Stainless steel 316Ti
0413-2104-0802	GE08 LL R1/8 CYL	8	LL	R1/8 BSP cyl	12	14	30	Stainless steel 316Ti
0413-2023-0810	GE08 L M10x1	8	L	M10x1 cyl	14	16	35	Stainless steel 316Ti

For connecting and attaching central lubrication pipes and hoses to metric and metric / BSP connections of your central lubrication system. These quick couplings are fully standardized according to DIN 2353 and are available in BEKA, LINCOLN and SKF variants.

See the table below for all available variants.
Material: Zinc-Nickel, stainless steel 316Ti

Cutting ring fittings

STRAIGHT CONNECTOR (G)

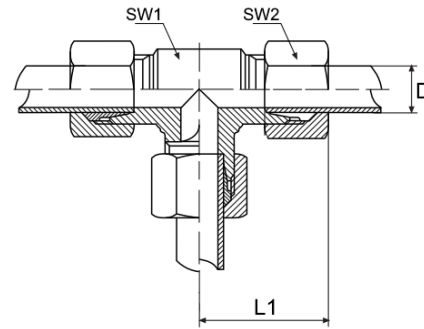


Partnr	Description	D	SW1	SW2	Material
0425-0003-0400	G04LL	4	9	10	Zinc-Nickel
0425-0003-0500	G05LL	5	11	12	Zinc-Nickel
0425-0003-0600	G06LL	6	11	12	Zinc-Nickel
0425-0003-0800	G08LL	8	14	17	Zinc-Nickel
0425-0003-0806	G08-06LL	6	12	14	Zinc-Nickel
0425-0003-1000	G10LL	10	17	19	Zinc-Nickel
0425-2003-0400	G04LL	4	9	10	Stainless steel 316Ti
0425-2003-0600	G06LL	6	11	12	Stainless steel 316Ti
0425-2003-0800	G08LL	8	14	17	Stainless steel 316Ti
0425-2003-1000	G10LL	10	17	19	Stainless steel 316Ti

For connecting central lubrication hoses and hydraulic pipes.

Cutting ring fittings

T CONNECTOR (DIN2353)



Partnr	Description	D	Serie	SW1	SW2	L1	Material
0427-0003-0400	T4LL	4	LL	9	10	21	Zinc-Nickel
0427-0003-0500	T5LL	5	LL	9	10	21	Zinc-nickel
0427-0003-0600	T6LL	6	LL	11	12	21	Zinc-nickel
0427-0003-0800	T8LL	8	LL	12	14	23	Stainless steel 316Ti
0427-0003-1000	T10LL	10	LL				Zinc-nickel
0427-0023-0600	T6L	6	L	12	14	27	Zinc-nickel
0427-0023-0800	T8L	8	L	14	17	29	Zinc-nickel
0427-0023-1000	T10L	10	L	17	19	30	Zinc-nickel
0427-2003-0400	T4LL	4	L	9	10	21	Stainless steel 316Ti
0427-2003-0600	T6LL	6	LL	11	12	21	Stainless steel 316Ti
0427-2003-0800	T8LL	8	LL	12	14	23	Stainless steel 316Ti
0427-2023-0600	T6L	6	L	12	12	27	Stainless steel 316Ti
0427-2023-0800	T8L	8	L	12	17	29	Stainless steel 316Ti
0427-2023-1000	T10L	10	L	17	19	30	Stainless steel 316Ti

