



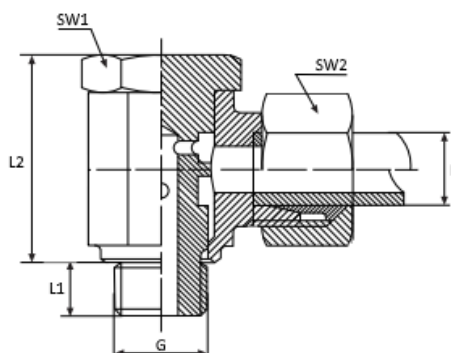
## Central Lubrication



Hydynamic Holland BV, Marssteden 28, 7547 TC ENSCHEDE, the Netherlands  
Telefoon: +31(0)53-4282048, [info@hydynamic.nl](mailto:info@hydynamic.nl), [www.hydynamic.nl](http://www.hydynamic.nl)

# Cutting ring fittings

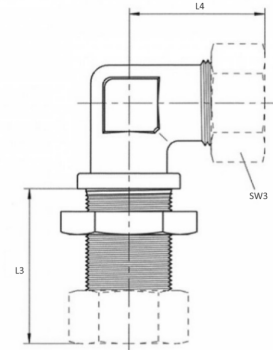
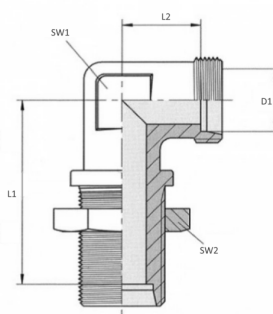
## ELBOW SWIVEL (SWV)



Partnr	Omschrijving	G	D	L1	L2	SW1	SW2	Serie	Material
0451-0003-0406	SWV4 LLM 6	M6x1	4	6	18,5	14	10	LL	Zinc-nickel
0451-0003-0408	SWV4 LLM 8	M8x1	4	6	18,5	14	10	LL	Zinc-nickel
0451-0003-0608	SWV6 LLM 8	M8x1	6	6	20	14	12	LL	Zinc-nickel
0451-0003-0610	SWV6 LLM 10	M10x1	6	6	20	14	12	LL	Zinc-nickel
0451-0003-0810	SWV8 LLM 10	M10x1	8	6	22	14	12	LL	Zinc-nickel
0451-0103-0402	SWV4 LLR 1/8	R1/8	4	6	18,5	14	10	LL	Zinc-nickel
0451-0103-0602	SWV6 LLR 1/8	R1/8	6	6	20	14	12	LL	Zinc-nickel
0451-0103-0802	SWV8 LLR 1/8	R1/8	8	6	22	14	14	LL	Zinc-nickel
0451-2103-0402	SWV4 LLR 1/8	R1/8	4	6	18,5	14	10	LL	Stainless steel 316TI
0451-2103-0602	SWV6 LLR 1/8	R1/8	6	6	20	14	12	LL	Stainless steel 316TI
0451-2103-0802	SWV8 LLR 1/8	R1/8	8	6	22	14	14	LL	Stainless steel 316TI

# Cutting ring fittings

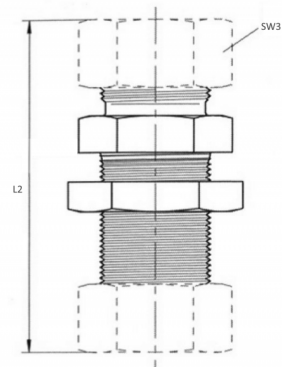
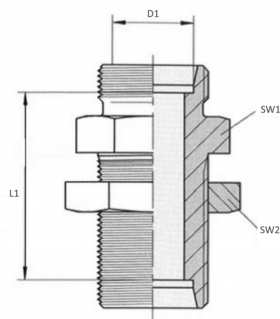
## ELBOW BULKHEAD FITTING



Partnr	D1	L1	L2	L3	L4	SW1	SW2	SW3	Serie	Material
0430-0023-0600	6	41	12	42	27	12	17	14	L	Zinc-nickel
0430-0023-0800	8	44	14	42	29	12	19	17	L	Zinc-nickel
0430-0023-1000	10	46	15	43	30	14	22	19	L	Zinc-nickel
0430-0023-1200	12	49	17	44	32	17	24	22	L	Zinc-nickel
0430-2023-0600	6	41	12	42	27	12	17	14	L	Stainless steel 316TI
0430-2023-0800	8	44	14	42	29	12	19	17	L	Stainless steel 316TI
0430-2023-1000	10	46	15	43	30	14	22	19	L	Stainless steel 316TI
0430-2023-1200	12	49	17	44	32	17	24	19	L	Stainless steel 316TI

# Cutting ring fittings

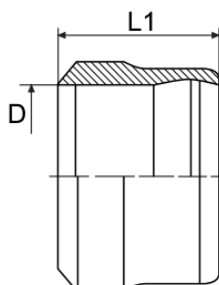
## STRAIGHT BULKHEAD FITTING (SV)



Partnr	D1	L1	L2	SW1	SW2	SW3	Serie	Material
0429-0023-0600	6	34	64	17	17	14	L	Zinc-nickel
0429-0023-0800	8	35	65	19	19	17	L	Zinc-nickel
0429-0023-1000	10	38	68	22	22	19	L	Zinc-nickel
0429-0023-1200	12	39	69	24	24	22	L	Zinc-nickel
0429-2023-0600	6	34	64	17	17	14	L	Stainless steel 316TI
0429-2023-0800	8	35	65	19	19	17	L	Stainless steel 316TI
0429-2023-1000	10	38	68	22	22	19	L	Stainless steel 316TI
0429-2023-1200	12	39	69	24	24	22	L	Stainless steel 316TI

# Cutting ring fittings

## CUTTING RINGS DIN3861

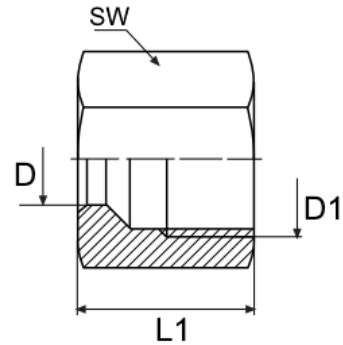


<b>Partnr</b>	<b>D</b>	<b>Serie</b>	<b>L</b>	<b>Material</b>
0401-0000-0400	4	LL	6	Galvanised
0401-0000-0600	6	LL	7	Zinc-nickel
0401-0010-0600	6	L / S	9,45	Galvanised
0401-0000-0800	8	LL	7,35	Galvanised
0401-0010-0800	8	L / S	9,48	Galvanised
0401-0000-1000	10	LL	7,2	Galvanised
0401-0010-1000	10	L / S	9,5	Galvanised
0401-2000-0400	4	LL	6	Stainless steel 316TI
0401-2000-0600	6	LL	7	Stainless steel 316TI
0401-2010-0600	6	L / S	9,45	Stainless steel 316TI
0401-2000-0800	8	LL	7,35	Stainless steel 316TI
0401-2010-0800	8	L / S	9,48	Stainless steel 316TI
0401-2010-1000	10	L / S	9,5	Stainless steel 316TI
0401-3000-0400	4	LL	6	Brass
0401-3000-0600	6	LL	7	Brass

Produced according to DIN3861 standards.

# Cutting ring fittings

## NUT (DIN 2353)

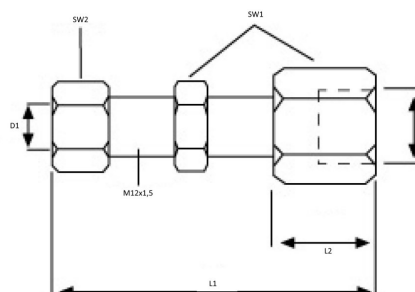


Partnr	D	Serie	D1	L1	SW	Material
0402-0000-0400	4	LL	M8x1	11	10	Zinc-nickel
0402-0000-0500	5	LL	M10x1	11,5	12	Zinc-nickel
0402-0000-0600	6	LL	M10x1	11,5	12	Zinc-nickel
0402-0001-0600	6	LL	M10x1	11,5	12	Zinc-iron
0402-0000-0800	8	LL	M12x1	12	14	Zinc-nickel
0402-0000-1000	10	LL	M14x1	13	17	Zinc-nickel
0402-0020-0600	6	L	M12x1,5	14,5	14	Zinc-nickel
0402-0020-0800	8	L	M14x1,5	14,5	17	Zinc-nickel
0402-0020-1000	10	L	M16x1,5	15,5	19	Zinc-nickel
0402-2000-0400	4	LL	M8x1	11	10	Stainless steel 316TI
0402-2000-0600	6	LL	M10x1	11,5	12	Stainless steel 316TI
0402-2000-0800	8	LL	M12x1	12	14	Stainless steel 316TI
0402-2020-0600	6	L	M12x1,5	13	14	Stainless steel 316TI
0402-2020-0800	8	L	M14x1,5	14,5	17	Stainless steel 316TI
0402-2020-1000	10	L	M16x1,5	15,5	19	Stainless steel 316TI
0402-3000-0600	6	LL	M10x1	11,5	12	Brass

Available in different sizes and suitable for various cutting ring couplings. Also available in brass version in size M06LL.

# Cutting ring fittings

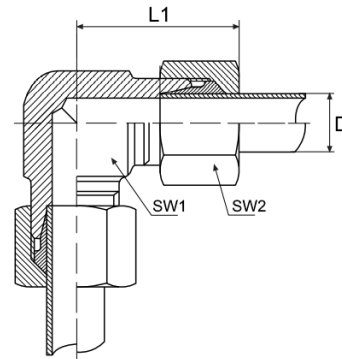
## STRAIGHT BULKHEAD FITTING (SV) WITH FEMALE THREAD



Partnr	D	D1	L1	L2	SW1	SW2	Serie	Material
0429-0023-0608	M8x1	6	66	20	17	14	L	Zinc-nickel
0429-0023-0610	M10x1	6	66	20	17	14	L	Zinc-nickel

# Cutting ring fittings

## ELBOW CONNECTOR 90° (W)



Partnr

D

d1

L1

L2

SW1

SW2

Serie

Material

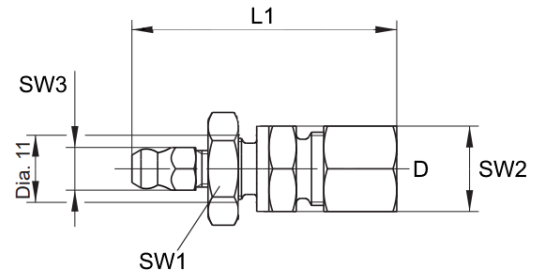
This right angle connecting coupling is available in several sizes as can be found in the table below.

Produced according to DIN2353 standards.



# Cutting ring fittings

## STRAIGHT BULKHEAD FITTING WITH GREASE NIPPLE



Partnr

D

d1

L1

L2

SW1

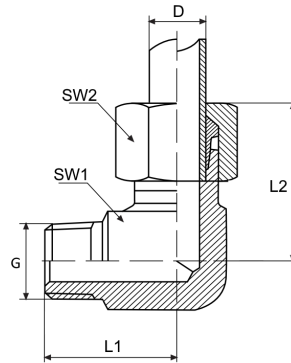
SW2

Serie

Material

# Cutting ring fittings

## ELBOW SCREW FITTING (WE)



Partnr	Omschrijving	D	Serie	G	SW1	SW2	L1	L2	Material
0419-0003-0406	WE04 LL M6x1	4	LL	M6x1 con	9	10	17	21	Zinc-nickel
0419-0003-0408	WE04 LL M8x1	4	LL	M8x1 con	9	10	17	21	Zinc-nickel
0419-0003-0410	WE04 LL M10x1	4	LL	M10x1 con	11	10	17	21	Zinc-nickel
0419-0103-0402	WE04 LL R1/8	4	LL	R1/8 BSP con	9	10	17	21	Zinc-nickel
0419-0003-0606	WE06 LL M6x1	6	LL	M6x1 con	11	12	17	22	Zinc-nickel
0419-0003-0608	WE06 LL M8x1	6	LL	M8x1 con	11	12	17	22	Zinc-nickel
0419-0003-0610	WE06 LL M10x1	6	LL	M10x1 con	11	12	17	22	Zinc-nickel
0419-0103-0602	WE06 LL R1/8	6	LL	R1/8 BSP con	11	12	17	22	Zinc-nickel
0419-0004-0408	WE04 LL M8x1,25	4	LL	M8x1,25 con	9	10	17	21	Zinc-nickel
0419-0004-0608	WE06 LL M8x1,25	6	LL	M8x1,25 con	11	12	17	22	Zinc-nickel
0419-0003-0810	WE08 LL M10x1	8	LL	M10x1 con	12	14	17	25	Zinc-nickel
0419-0103-0802	WE08 LL R1/8	8	LL	R1/8 BSP con	11	12	17	22	Zinc-nickel
0419-0123-0602	WE06 L R1/8	6	LL	R1/8 BSP con	12	14	21	29	Zinc-nickel
0419-0123-0604	WE06 L R1/4	6	LL	R1/4 BSP con	14	14	26	28,5	Zinc-nickel
0419-2003-0406	WE04 LL M6x1	4	LL	M6x1 con	9	10	17	21	Stainless steel 316TI
0419-2003-0408	WE04 LL M8x1	4	LL	M8x1 con	9	10	17	21	Stainless steel 316TI
0419-2003-0410	WE04 LL M10x1	4	LL	M10x1 con	9	10	17	22	Stainless steel 316TI
0419-2103-0402	WE04 LL R1/8	4	LL	R1/8 BSP con	9	10	17	21	Stainless steel 316TI
0419-2003-0606	WE06 LL M6x1	6	LL	M6x1 con	11	12	17	22	Stainless steel 316TI
0419-2003-0608	WE06 LL M8x1	6	LL	M8x1 con	11	12	17	22	Stainless steel 316TI
0419-2003-0610	WE06 LL M10x1	6	LL	M10x1 con	11	12	17	22	Stainless steel 316TI
0419-2103-0602	WE06 LL R1/8	6	LL	R1/8 BSP con	9	12	17	22	Stainless steel 316TI

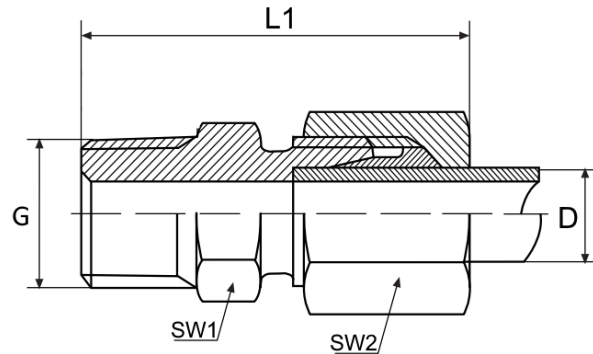
Partnr	Omschrijving	D	Serie	G	SW1	SW2	L1	L2	Material
0419-2003-0806	WE08 LL M6x1	8	LL	M6x1 con	12	14	21	25	Stainless steel 316TI
0419-2003-0808	WE08 LL M8x1	8	LL	M8x1 con	12	14	21	25	Stainless steel 316TI
0419-2003-0810	WE08 LL M10x1	8	LL	M10x1 con	12	14	17	25	Stainless steel 316TI
0419-2103-0802	WE08 LL R1/8	8	LL	R1/8 BSP con	12	14	21	25	Stainless steel 316TI

For the perpendicular connection of lubrication lines and hoses to your central lubrication system. This coupling, which is fully compliant with DIN 2353, is available in various sizes and designs, including BEKA, LINCOLN and SKF variants. The different sizes and variants can be found in the table below.

Material: Zinc-Nickel, stainless steel 316TI

# Cutting ring fittings

## STRAIGHT SCREW FITTING (GE)



Partnr	Omschrijving	D	Serie	G	SW1	SW2	L1	Material
0413-0004-0406	GE04 LL M6x0,75	4	LL	M6x0.75 con	9	10	26	Zinc-nickel
0413-0003-0406	GE04 LL M6x1	4	LL	M6x1 con	9	10	26	Zinc-nickel
0413-0007-0406	GE04 LL M6x1 KORT	4	LL	M6x1 con	9	10	24	Zinc-nickel
0413-0003-0408	GE04 LL M8x1	4	LL	M8x1 con	10	10	26	Zinc-nickel
0413-0004-0408	GE04 LL M8x1,25	4	LL	M8x1,25 con	10	10	26	Zinc-nickel
0413-0003-0410	GE04 LL M10x1	4	LL	M10x1 con	11	10	26	Zinc-nickel
0413-0003-0508	GE05 LL M8x1	5	LL	M8x1 con	10	10	26	Zinc-nickel
0413-0003-0606	GE06 LL M6x1	6	LL	M6x1 con	11	12	26	Zinc-nickel
0413-0003-0608	GE06 LL M8x1	6	LL	M8x1 con	11	12	26	Zinc-nickel
0413-0004-0608	GE06 LL M8x1,25	6	LL	M8x1,25 con	11	12	26	Zinc-nickel
0413-0003-0610	GE06 LL M10x1	6	LL	M10x1 con	11	12	26	Zinc-nickel
0413-0103-0402	GE04 LL R1/8	4	LL	R1/8 BSP con	11	10	26	Zinc-nickel
0413-0107-0402	GE04 LL R1/8 CYL	4	LL	R1/8 BSP cyl	14	10	28	Zinc-nickel
0413-0103-0502	GE05 LL R1/8	5	LL	R1/8 BSP con	11	10	26	Zinc-nickel
0413-0103-0602	GE06 LL R1/8	6	LL	R1/8 BSP con	11	12	26	Zinc-nickel
0413-0104-0602	GE06 LL R1/8 CYL	6	LL	R1/8 BSP cyl	14	12	27,5	Zinc-nickel
0413-0103-0802	GE08 LL R1/8	8	LL	R1/8 BSP con	11	14	28	Zinc-nickel
0413-0103-0804	GE08 LL R1/4	8	LL	R1/4 BSP con	14	14	32,5	Galvanised
0413-0003-0810	GE08 LL M10x1	8	LL	M10x1 con	12	14	28	Zinc-nickel
0413-0123-0604	GE06 LR 1/4	6	L	R1/4 BSP cyl	19	14	39	Zinc-nickel
0413-0023-0610	GE06 L M10x1	6	L	M10x1 cyl	14	14	34	Zinc-nickel
0413-0023-0614	GE06 L M14x1	6	L	M14x1 cyl	19	14	39	Zinc-nickel

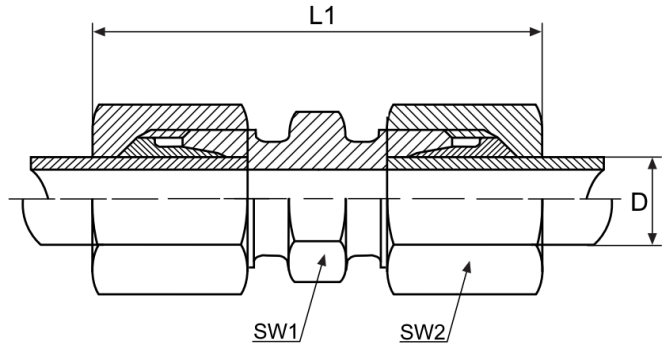
Partnr	Omschrijving	D	Serie	G	SW1	SW2	L1	Material
0413-0123-0602	GE06 LR 1/8	6	L	R1/8 BSP cyl	14	14	34	Zinc-nickel
0413-0123-0606	GE06 LR 3/8	6	L	R3/8 BSP cyl	22	14	40	Zinc-nickel
0413-0123-0802	GE08 LR 1/8	8	L	R1/8 BSP cyl	14	17	35	Zinc-nickel
0413-0123-0804	GE08 LR 1/4	8	L	R1/4 BSP cyl	19	17	40	Zinc-nickel
0413-0023-0810	GE08 L M10x1	8	L	M10x1 cyl	14	16	35	Zinc-nickel
0413-0023-1010	GE10 L M10x1	10	L	M10x1 cyl	17	19	35	Zinc-nickel
0413-0123-1004	GE10 LR 1/4	10	L	R1/4 BSP cyl	19	19	40	Zinc-nickel
0413-0123-1002	GE10 LR 1/8	10	L	R1/8 BSP cyl	17	19	36,5	Zinc-nickel
0413-2003-0406	GE04 LL M6x1	4	LL	M6x1 con	9	10	26	Stainless steel 316Ti
0413-2003-0408	GE04 LL M8x1	4	LL	M8x1 con	10	10	26	Stainless steel 316Ti
0413-2003-0410	GE04 LL M10x1	4	LL	M10x1 con	10	12	26	Stainless steel 316Ti
0413-2004-0410	GE04 LL M10x1 CYL	4	LL	M10x1 cyl	14	10	28	Stainless steel 316Ti
0413-2103-0402	GE04 LL R1/8	4	LL	R1/8 BSP con	11	10	28	Stainless steel 316Ti
0413-2104-0402	GE04 LL R1/8 CYL	4	LL	R1/8 BSP cyl	11	10	28	Stainless steel 316Ti
0413-2003-0606	GE06 LL M6x1	6	LL	M6x1 con	11	12	26	Stainless steel 316Ti
0413-2003-0608	GE06 LL M8x1	6	LL	M8x1 con	11	12	28	Stainless steel 316Ti
0413-2004-0608	GE06 LL M8x1,25	6	LL	M8x1,25 con	11	12	28	Stainless steel 316Ti
0413-2003-0610	GE08 LL M10x1	6	LL	M10x1 con	11	12	26	Stainless steel 316Ti
0413-2004-0610	GE06 LL M10x1 CYL	6	LL	M10x1 cyl	14	12	30	Stainless steel 316Ti
0413-2103-0602	GE06 LL R1/8	6	LL	R1/8 BSP con	11	12	28	Stainless steel 316Ti
0413-2104-0602	GE06 LL R1/8 CYL	6	LL	R1/8 BSP cyl	14	12	29,5	Stainless steel 316Ti
0413-2023-0610	GE06 L M10x1	6	L	M10x1 cyl	14	14	34	Stainless steel 316Ti
0413-2003-0806	GE08 LL M6x1	8	LL	M6x1 con	12	14	30	Stainless steel 316Ti
0413-2003-0808	GE08 LL M8x1	8	LL	M8x1 con	12	14	30	Stainless steel 316Ti
0413-2003-0810	GE08 LL M10x1	8	LL	M10x1 con	12	14	30	Stainless steel 316Ti
0413-2103-0802	GE08 LL R1/8	8	LL	R1/8 BSP con	12	14	30	Stainless steel 316Ti
0413-2104-0802	GE08 LL R1/8 CYL	8	LL	R1/8 BSP cyl	12	14	30	Stainless steel 316Ti
0413-2023-0810	GE08 L M10x1	8	L	M10x1 cyl	14	16	35	Stainless steel 316Ti

For connecting and attaching central lubrication pipes and hoses to metric and metric / BSP connections of your central lubrication system. These quick couplings are fully standardized according to DIN 2353 and are available in BEKA, LINCOLN and SKF variants.

See the table below for all available variants.  
Material: Zinc-Nickel, stainless steel 316Ti

# Cutting ring fittings

## STRAIGHT CONNECTOR (G)

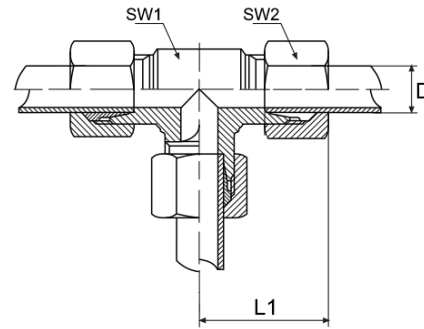


Partnr	Omschrijving	D	SW1	SW2	Material
0425-0003-0400	G04LL	4	9	10	Zinc-Nickel
0425-0003-0500	G05LL	5	11	12	Zinc-Nickel
0425-0003-0600	G06LL	6	11	12	Zinc-Nickel
0425-0003-0800	G08LL	8	14	17	Zinc-Nickel
0425-0003-0806	G08-06LL	6	12	14	Zinc-Nickel
0425-0003-1000	G10LL	10	17	19	Zinc-Nickel
0425-2003-0400	G04LL	4	9	10	Stainless steel 316Ti
0425-2003-0600	G06LL	6	11	12	Stainless steel 316Ti
0425-2003-0800	G08LL	8	14	17	Stainless steel 316Ti
0425-2003-1000	G10LL	10	17	19	Stainless steel 316Ti

For connecting central lubrication hoses and hydraulic pipes.

# Cutting ring fittings

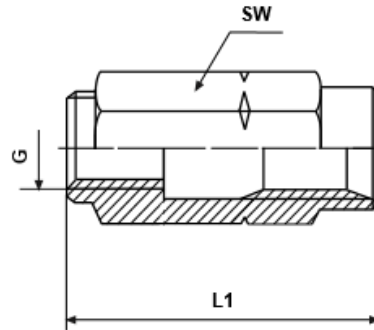
## T CONNECTOR (DIN2353)



Partnr	Omschrijving	D	Serie	SW1	SW2	L1	Material
0427-0003-0400	T4LL	4	LL	9	10	21	Zinc-Nickel
0427-0003-0500	T5LL	5	LL	9	10	21	Zinc-nickel
0427-0003-0600	T6LL	6	LL	11	12	21	Zinc-nickel
0427-0003-0800	T8LL	8	LL	12	14	23	Stainless steel 316Ti
0427-0003-1000	T10LL	10	LL				Zinc-nickel
0427-0023-0600	T6L	6	L	12	14	27	Zinc-nickel
0427-0023-0800	T8L	8	L	14	17	29	Zinc-nickel
0427-0023-1000	T10L	10	L	17	19	30	Zinc-nickel
0427-2003-0400	T4LL	4	L	9	10	21	Stainless steel 316Ti
0427-2003-0600	T6LL	6	LL	11	12	21	Stainless steel 316Ti
0427-2003-0800	T8LL	8	LL	12	14	23	Stainless steel 316Ti
0427-2023-0600	T6L	6	L	12	12	27	Stainless steel 316Ti
0427-2023-0800	T8L	8	L	12	17	29	Stainless steel 316Ti
0427-2023-1000	T10L	10	L	17	19	30	Stainless steel 316Ti

# Screw sleeves / Hose studs

## SCREW SLEEVE (HAF)



Partnr	G	SW1	Assembly hose	Material
2875-0000-0400	M7X0,75	12	4,0x8,6	Zinc-nickel
2875-0000-0401	M7X0,75	12	4,0x8,6	Zinc-iron
2875-0000-0600	M9X1	17	6,3x11,3	Zinc-nickel
2875-2000-0400	M7X0,75	12	4,0x8,6	Stainless steel 316TI
2875-2000-0600	M9X1	17	6,3x11,3	Stainless steel 316TI

Suitable for applications on high pressure central lubrication pipes. This coupling is available in various versions including BEKA, LINCOLN and SKF versions, all variants in original quality.

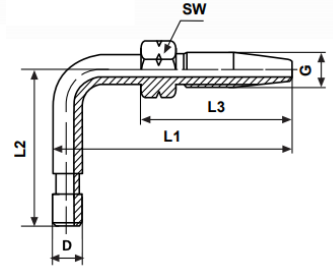
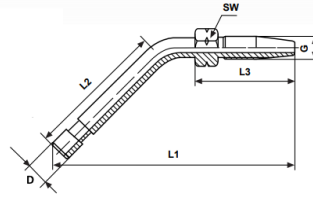
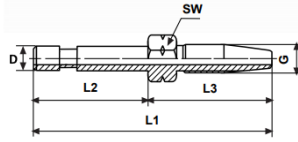
Haf 4 for mounting high-pressure hose 4.0 x 8.6

Haf 6.3 for mounting high pressure hose 6.3 x 11.3



# Screw sleeves / Hose studs

## HOSESTUD WITH LINCOLN GROOVE



Partnr

G

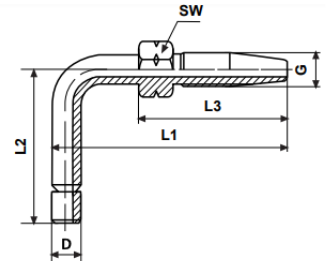
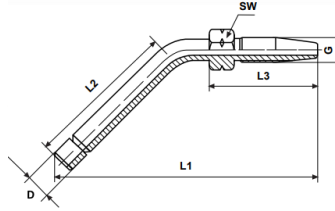
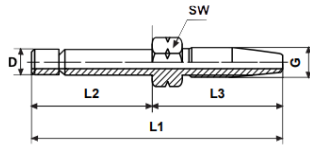
SW1

Assembly hose

Material

# Screw sleeves / Hose studs

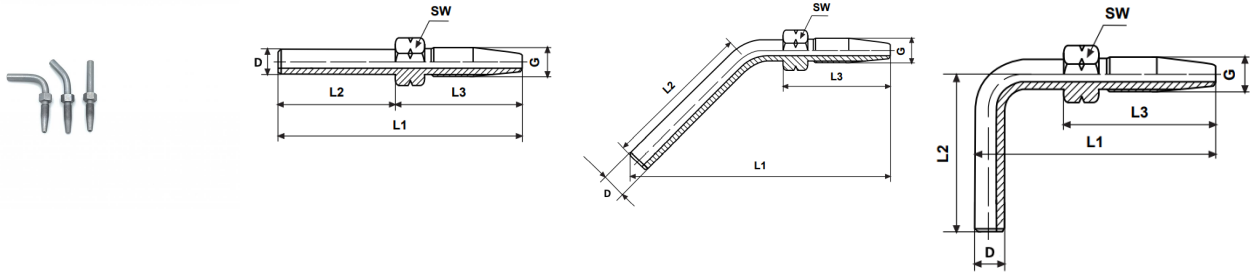
## HOSESTUD WITH SKF/BEKA GROOVE



Partnr	Omschrijving	D	G	L1	L2	L3	Assembly hose	SW	Material
2804-0005-0604	Schroefpilaar	6	M7X0,75	64	32,7	31	4,0x8,6	10	Zinc-nickel
2804-0006-0604	Schroefpilaar	6	M7X0,75	57	26	31	4,0x8,6	10	Zinc-nickel
2804-0401-0604	Schroefpilaar 45°	6	M7X0,75	64	26	31	4,0x8,6	10	Zinc-nickel
2804-0905-0604	Schroefpilaar 90°	6	M7X0,75	60,5	48	31	4,0x8,6	10	Zinc-nickel
2804-0908-0604	Schroefpilaar 90°	6	M7X0,75	47	36	31	4,0x8,6	10	Zinc-nickel
2804-2001-0604	Schroefpilaar	6	M7X0,75	64	32,7	31	4,0x8,6	10	Stainless steel 316TI

# Screw sleeves / Hose studs

## HOSESTUDS WITHOUT GROOVE

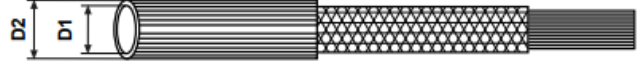


Partnr	Description	D	G	L1	L2	L3	SW1	Assembly hose	Material
2804-0000-0404	Hosestud	4	M7X0,75	61	30	31	10	4,0x8,6	Zinc-nickel
2804-7001-0604	Hosestud	6	M7X0,75	49,1	18	31	10	4,0x8,6	Zinc-nickel
2804-0001-0604	Hosestud	6	M7X0,75	51,1	20	31	10	4,0x8,6	Zinc-nickel
2804-0002-0604	Hosestud	6	M7X0,75	55,1	24	31	10	4,0x8,6	Zinc-nickel
2804-0000-0604	Hosestud	6	M7X0,75	61,1	30	31	10	4,0x8,6	Zinc-nickel
2804-0000-0804	Hosestud	8	M7X0,75	61,1	30	31	10	4,0x8,6	Zinc-nickel
2804-0000-0606	Hosestud	6	M9X1	67	22	45,5	12	6,3x11,3	Zinc-nickel
2804-0000-0806	Hosestud	8	M9X1	67,3	22	45,5	12	6,3x11,3	Zinc-nickel
2804-0000-1006	Hosestud	10	M9X1	67,3	22	45,5	12	6,3x11,3	Galvanised
2804-0400-0604	Hosestud 45°	6	M7X0,75	55,1	22	31	10	4,0x8,6	Zinc-nickel
2804-0403-0604	Hosestud 45°	6	M7X0,75	68,3	25	31	10	4,0x8,6	Zinc-nickel
2804-0404-0604	Hosestud 45°	6	M7X0,75	63,3	20	31	10	4,0x8,6	Zinc-nickel
2804-0405-0604	Hosestud 45°	6	M7X0,75	79,1	38	31	10	4,0x8,6	Zinc-nickel
2804-0400-0806	Hosestud 45°	8	M9X1	104	30	45,5	12	6,3x11,3	Zinc-nickel
2804-0900-0604	Hosestud 90°	6	M7X0,75	48	30	31	10	4,0x8,6	Zinc-nickel
2804-0901-0604	Hosestud 90°	6	M7X0,75	48	20,7	31	10	4,0x8,6	Zinc-nickel
2804-0902-0604	Hosestud 90°	6	M7X0,75	55,1	52	31	10	4,0x8,6	Zinc-nickel
2804-0903-0604	Hosestud 90°	6	M7X0,75	62	38	31	10	4,0x8,6	Zinc-nickel
2804-0904-0604	Hosestud 90°	6	M7X0,75	48	32,7	31	10	4,0x8,6	Zinc-nickel
2804-0909-0604	Hosestud 90°	6	M7X0,75	62	50	31	10	4,0x8,6	Zinc-nickel
2804-0900-0606	Hosestud 90°	6	M9X1	70	53	45,5	12	6,3x11,3	Zinc-nickel
2804-0900-0806	Hosestud 90°	8	M9X1	70	55	45,5	12	6,3x11,3	Zinc-nickel
2804-0901-0806	Hosestud 90°	8	M9X1	70	35	45,5	12	6,3x11,3	Zinc-nickel

<b>Partnr</b>	<b>Description</b>	<b>D</b>	<b>G</b>	<b>L1</b>	<b>L2</b>	<b>L3</b>	<b>SW1</b>	<b>Assembly hose</b>	<b>Material</b>
2804-2000-0404	Hosestud	4	M7X0,75	61	30	31	10	4,0x8,6	Stainless steel 316TI
2804-2000-0604	Hosestud	6	M7X0,75	61,1	30	31	10	4,0x8,6	Stainless steel 316TI
2804-2000-0606	Hosestud	6	M9X1	67,3	22	45,5	12	6,3x11,3	Stainless steel 316TI
2804-2000-0806	Hosestud	8	M9X1	67,3	22	45,5	12	6,3x11,3	Stainless steel 316TI
2804-2000-1006	Hosestud	8	M9X1	67,3	22	45,5	12	6,3x11,3	Stainless steel 316TI
2804-2400-0604	Hosestud 45°	6	M7X0,75	55,1	22	31	10	4,0x8,6	Stainless steel 316TI
2804-2900-0604	Hosestud 90°	6	M7X0,75	48	30	31	10	4,0x8,6	Stainless steel 316TI
2804-2901-0604	Hosestud 90°	6	M7X0,75	48	20,7	31	10	4,0x8,6	Stainless steel 316TI

# Hoses

## HIGH PRESSURE HOSE 840 BAR



Partnr	D1	D2	Static pressure	Burst pressure	Verpakkingsseenheid	Grease-filled
0116-0003-0400	4,0	8,6	280 bar	840 bar	50m	Empty
0116-0003-0402	4,0	8,6	280 bar	840 bar	100m	Empty
0116-0003-0403	4,0	8,6	280 bar	840 bar	200m	Empty
0116-0003-0600	6,3	11,3	280 bar	840 bar	50m	Empty
0116-0002-0400	4,0	8,6	280 bar	840 bar	50m	Grease-filled NLGI 2
0116-0001-0600	6,3	11,3	280 bar	840 bar	50m	Grease-filled NLGI 2

### Application

This hose is used for lubrication applications within industrial, manual or automated (centralized) lubrication systems.

### Grease filled

If desired, we can fill these lubrication hoses with NLGI 2 grease. This will save you a lot of time during the assembly of the hoses!

### Info

The hose has a static pressure of 280 bar and a burst pressure of 840 bar.

### PDF specification sheets:

[Technical specification sheet high pressure hoses unfilled](#)

[Technical specification sheet high pressure hoses grease filled](#)

# Hoses

## PA12 HL & PA12 HL FLEXIBLE HOSES (DIN 73378)



Partnr	Omschrijving	D2	S	D1	Working pressure	Vetgevuld	Packing unit
0620-0004-0403	PA12 HL FLEXIBLE	4	0,85	2,3	36 BAR	Empty	100M
0620-0004-0404	PA12 HL	4	0,85	2,3	61 BAR	Empty	100M
0620-0004-0602	PA12 HL	6	1.5	3	93 BAR	Empty	50M
0620-0004-0603	PA12 HL	6	1.5	3	93 BAR	Empty	100M
0620-0004-0605	PA12 HL	6	1.5	3	93 BAR	Empty	500M
0620-0007-0603	PA12 HL FLEXIBLE	6	1.5	3	82 BAR	Empty	100M
0620-0007-0605	PA12 HL FLEXIBLE	6	1.5	3	82 BAR	Empty	500M
0620-0005-0604	PA12 HL	6	1.5	3	93 BAR	Filled NLGI 00	50M
0620-0005-0603	PA12 HL	6	1.5	3	93 BAR	Filled NLGI 00	100M
0620-0009-0603	PA12 HL FLEXIBLE	6	1.5	3	82 BAR	Filled NLGI 00	100M

### Application

This hose is used for Lubrication applications for Industrial, hand held or automatic (centralized) grease lubrication systems.

### Grease filled

If desired, we can fill these lubrication hoses with NLGI 2 grease. This will save you a lot of time during the assembly of the hoses!

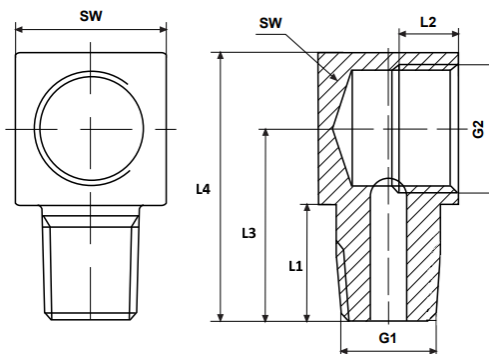
### PDF specification sheets:

[Technical specification sheet PA12 HL PHLV tubes unfilled](#)

[Technical specification sheet PA12 HL PHLV tubes grease filled](#)

# Adapters

## BLOCK ADAPTER 45°



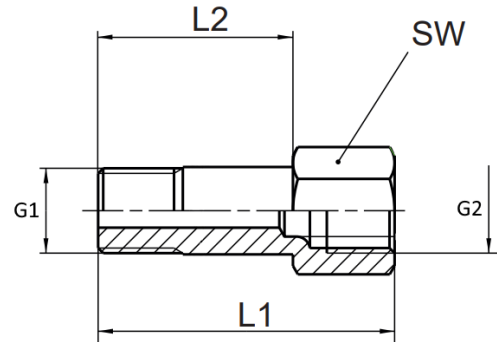
Partnr	G1	G2	L1	L2	L3	L4	SW	Material
2851-0000-0606	M6x1 con	M6x1	10	4	16,5	23	12	Zinc-nickel
2851-0000-0608	M6x1 con	M8x1	10	4	16,5	23	12	Zinc-nickel
2851-0000-0610	M6x1 con	M10x1	10	4	16,5	23	12	Zinc-nickel
2851-0000-0806	M8x1 con	M6x1	10	4	16,5	23	12	Zinc-nickel
2851-0000-0808	M8x1 con	M8x1	10	4	16,5	23	12	Zinc-nickel
2851-0000-0809	M8x1,25 con	M8x1,25	10	4	19	24	13	Galvanised
2851-0000-0810	M8x1 con	M10x1	10	4	16,5	23	12	Zinc-nickel
2851-0000-0811	M8x1,25 con	M10x1	10	4	16,5	23	12	Zinc-nickel
2851-0000-1008	M10x1 con	M8x1	10	4	16,5	23	12	Zinc-nickel
2851-0000-1010	M10x1 con	M10x1	10	4	16,5	23	12	Zinc-nickel
2851-0100-0202	R1/8 con	R1/8	10	4	16,5	23	12	Zinc-nickel
2851-0100-0210	R1/8 con	M10x1	10	4	16,5	23	12	Zinc-nickel
2851-0100-0404	R1/4 con	R1/4	12	8	21	28	17	Zinc-nickel
2851-0100-0410	R1/4 con	M10x1	12	8	21	26	14	Galvanised
2851-0100-0802	M8x1 con	R1/8	10	4	16,5	23	12	Zinc-nickel
2851-2000-0610	M6x1 con	M10x1	10	4	16,5	23	12	Stainless steel 316TI
2851-2000-0810	M8x1 con	M10x1	10	4	16,5	23	12	Stainless steel 316TI
2851-2000-1010	M10x1 con	M10x1	10	4	16,5	23	12	Stainless steel 316TI

Elbow 90 ° for making a right angle connection to your central lubrication system. This elbow piece is available in several sizes and designs, as you can find in the table below.

Material: Zinc-Nickel, Galvanized

# Adapters

## EXTENSION NIPPLE



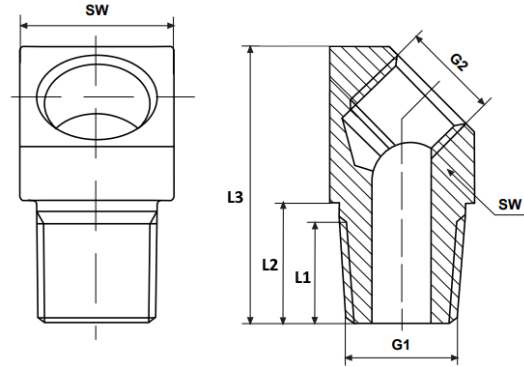
Partnr	G1	G2	L1	L2	Material
2850-0006-0817	M6x1 con	M8x1	17	6	Zinc-nickel
2850-0006-0820	M6x1 con	M8x1	20	6	Zinc-nickel
2850-0006-1025	M6x1 con	M10x1	24	6	Zinc-nickel
2850-0008-0817	M8x1 con	M8x1	17	6	Zinc-nickel
2850-0008-0818	M8x1 con	M8x1	18	6	Zinc-nickel
2850-0008-0819	M8x1,25 con	M8x1,25	18	6	Zinc-nickel
2850-0008-0833	M8x1 con	M8x1	33	21	Zinc-nickel
2850-0008-0862	M8x1 con	M8x1	62	50	Zinc-nickel
2850-0008-1021	M8x1 con	M10x1	21	6	Zinc-nickel
2850-0010-0817	M10x1 con	M8x1	17	6	Zinc-nickel
2850-0010-1018	M10x1 con	M10x1	18	8	Zinc-nickel
2850-0010-1021	M10x1 con	M10x1	21	6	Zinc-nickel
2850-0010-1023	M10x1 con	M10x1	23	6	Zinc-nickel
2850-0010-1024	M10x1 con	M10x1	24	12	Zinc-nickel
2850-0010-1036	M10x1 con	M10x1	36	24	Zinc-nickel
2850-0010-1040	M10x1 con	M10x1	40	38	Zinc-nickel
2850-0010-1051	M10x1 con	M10x1	51	49	Zinc-nickel
2850-0102-0218	R1/8 con	R1/8	18	6	Zinc-nickel
2850-0102-0220	R1/8 con	R1/8	20	8	Zinc-nickel
2850-0102-0224	R1/8 con	R1/8	24	10	Zinc-nickel
2850-0102-0235	R1/8 con	R1/8	35		Zinc-nickel
2850-0102-0250	R1/8 con	R1/8	50	48	Zinc-nickel



<b>Partnr</b>	<b>G1</b>	<b>G2</b>	<b>L1</b>	<b>L2</b>	<b>Material</b>
2850-0102-1021	R1/8 con	M10x1	21	6	Zinc-nickel
2850-0102-1051	R1/8 con	M10x1	51	38	Zinc-nickel
2850-0104-0220	R1/4 con	R1/8	20	10	Zinc-nickel
2850-0104-1020	R1/4 con	M10x1	20	10	Zinc-nickel
2850-0104-1035	R1/4 con	M10x1	35	23	Zinc-nickel
2850-0104-1056	R1/4 con	M10x1	56	44	Zinc-nickel
2850-0110-0222	M10x1 con	R1/8	22		Zinc-nickel
2850-2006-0630	M6x1 con	M6x1	30	20	Stainless steel 316TI
2850-2006-1018	M6x1 con	M10x1	18		Stainless steel 316TI
2850-2008-0817	M8x1 con	M8x1	17	6	Stainless steel 316TI
2850-2008-1018	M8x1 con	M10x1	18	8	Stainless steel 316TI
2850-2010-0817	M10x1 con	M8x1	17	6	Stainless steel 316TI
2850-2010-1018	M10x1 con	M10x1	18	8	Stainless steel 316TI
2850-2102-0230	R1/8 con	R1/8	32		Stainless steel 316TI
2850-2102-0250	R1/8 con	R1/8	50	48	Stainless steel 316TI

# Adapters

## BLOCK ADAPTER 45°



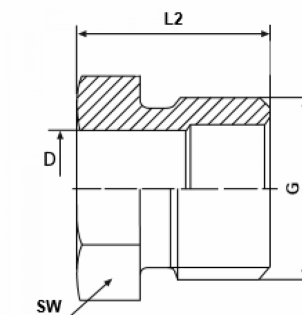
Partnr	G1	G2	L1	L2	L3	SW	Material
2852-0000-0608	M6x1 con	M8x1	6,5	10	23	12	Zinc-nickel
2852-0000-0808	M8x1 con	M8x1	6,5	10	23	13	Zinc-nickel
2852-0000-0908	M8x1,25 con	M8x1	6,5	10	23	12	Zinc-nickel
2852-0000-1008	M10x1 con	M8x1	6,5	10	23	13	Zinc-nickel
2852-0000-1010	M10x1 con	M10x1	4,5	7,5	21	13	Zinc-nickel
2852-0100-0202	R1/8 con	R1/4	5	10	23	12	Zinc-nickel
2852-0100-0404	R1/4 con	R1/4	6	10	23	13	Zinc-nickel

Elbow 45 ° for making a connection at 45 degrees to your central lubrication system. This 45 ° elbow is available in different sizes and designs, as you can find in the table below.

Material: Zinc-Nickel, Galvanized

# Brass fittings

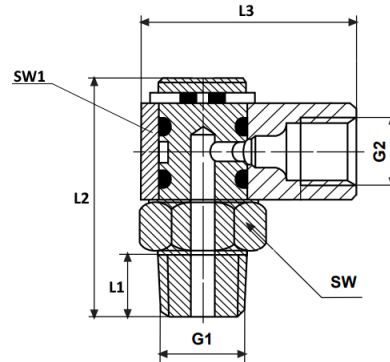
## UNION SCREW BRASS



Partnr	D	G	L2	Verpakkingseenheid	Material
2873-3000-0602	6	M10x1	13	100	Brass
2873-3000-0402	4	M8x1	12	100	Brass

# Brass fittings

## HINGE (SWIVEL BRASS)

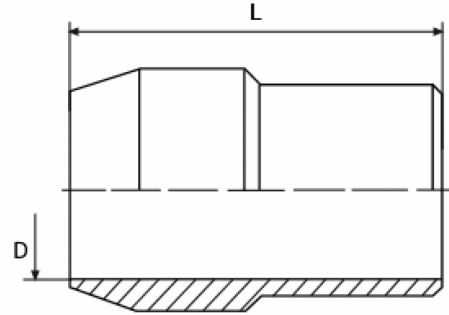


Partnr	G1	G2	L1	L2	L3	SW	SW1	Material
2840-3000-0806	M6x1 con	M8x1	8	30	26,5	14	15	Brass
2840-3000-0808	M8x1 con	M8x1	8	30	26,5	14	15	Brass
2840-3000-0809	M8x1,25 con	M8x1	8	30	26,5	14	15	Brass
2840-3000-0810	M10x1 con	M8x1	8	30	26,5	14	15	Brass
2840-3000-1006	M6x1 con	M10x1	8	30	26,5	14	15	Brass
2840-3000-1008	M8x1 con	M8x1	8	30	26,5	14	15	Brass
2840-3000-1010	M10x1 con	M10x1	8	30	26,5	14	15	Brass
2840-3100-0802	R1/8 con	M8x1	8	30	26,5	14	15	Brass
2840-3100-1002	R1/8 con	M10x1	8	30	26,5	14	15	Brass

This angled swivel is available in different sizes.  
The different versions can be found in the table below.

# Brass fittings

## CONICAL CUTTING RING FOR PA12 HL



Partnr

91

92

11

12

13

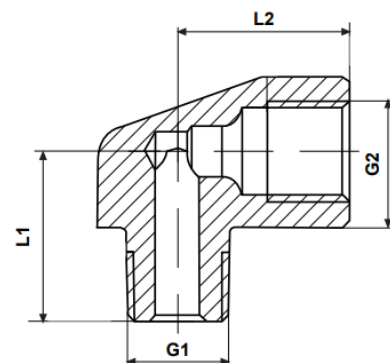
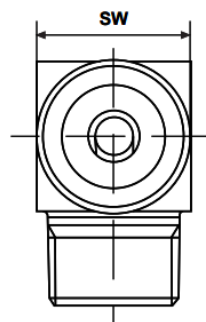
sw

SW1

Material

# Brass fittings

## ELBOW (DIN3862)



Partnr

G1

G2

L1

L2

l3

sw

SW1

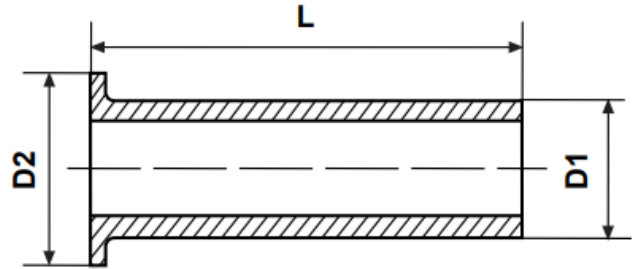
Material

90 degree elbow with conical connection, suitable for 4 mm PA tube.

Material: Brass

# Brass fittings

## REINFORCEMENT SLEEVE (BRASS)



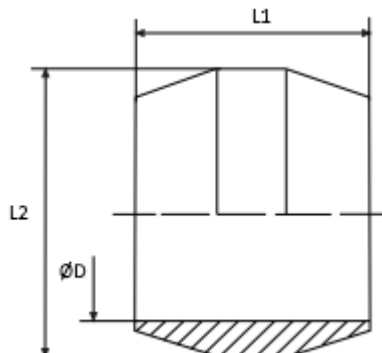
Partnr	91	92	11	12	13	sw	SW1	Material
--------	----	----	----	----	----	----	-----	----------

For reinforcing thin-walled and soft tubes as well as plastic tubes. Packaging unit per 100 pieces.

Material: Brass

# Brass fittings

## OLIVES

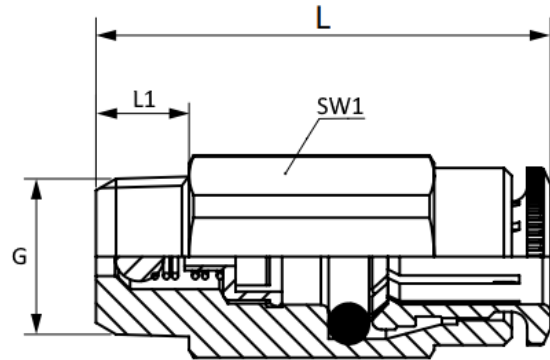


Partnr	Ø	L1	L2	Serie	Material
2873-3000-0601	6	6,5	8	LL	Brass
2873-3000-0401	4	5,5	6	LL	Brass
2873-2000-0400	4	5,5	6	LL	Stainless steel 316TI



# Non-return valves - Push-in fittings

## STRAIGHT PUSH-IN FITTING WITH VALVE



Partnr

d

L1

L2

Serie

Material

Material: Brass (nickel plated)

Coupling is equipped with HNBR o-ring

Maximum pressure with liquids: 150 bar

Maximum pressure with air: 30 bar

Temperature range:

Min -30° / Max +150°

Threads:

Tapered gas in conformity with ISO7.1, BS21, DIN2999

Metric tapered in conformity with UNI 7707

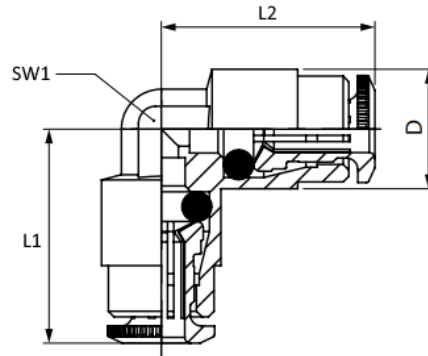
Connecting hoses:

plastic hoses: PA6, PA66 for high pressure

PA11, PA12, polyethylene, polyurethane PEF, PTFE.

# Push-in fittings

## PUSH-IN CONNECTOR W (150 bar)



Partnr	PA PIPE	L1	L2	SW1	Ø
2836-3000-0400	4	18	18	8	10,5
2836-3000-0600	6	21	21	10	13

Material: Brass (nickel plated)

Coupling is equipped with HNBR o-ring

Maximum pressure with liquids: 150 bar

Maximum pressure with air: 30 bar

Temperature range:

Min -30° / Max +150°

Threads:

Tapered gas in conformity with ISO7.1, BS21, DIN2999

Metric tapered in conformity with UNI 7707

Connecting hoses:

plastic hoses: PA6, PA66 for high pressure

PA11, PA12, polyethylene, polyurethane PEF, PTFE.

# Push-in fittings

## PUSH-IN CONNECTOR T (150 bar)



PA PIPE	L1	L2	SW1	Ø
6	41	21	10	13
4	36	18	8	10,5

Material: Brass (nickel plated)

Coupling is equipped with HNBR o-ring

Maximum pressure with liquids: 150 bar

Maximum pressure with air: 30 bar

Temperature range:

Min -30° / Max +150°

Threads:

Tapered gas in conformity with ISO7.1, BS21, DIN2999

Metric tapered in conformity with UNI 7707

Connecting hoses:

plastic hoses: PA6, PA66 for high pressure

PA11, PA12, polyethylene, polyurethane PEF, PTFE.

# Non-return valves - Push-in fittings

## STRAIGHT PUSH-IN FITTING WITH VALVE (LINCOLN)



Partnr	PA PIPE	G	L1	L2	L3	SW1
2833-3001-0410	4	M10x1	37	14	6,5	10
2833-3001-0610	6	M10x1	37,5	14	6,5	12

Material: Brass (nickel plated)

Coupling is equipped with HNBR o-ring

Maximum pressure with liquids: 150 bar

Maximum pressure with air: 30 bar

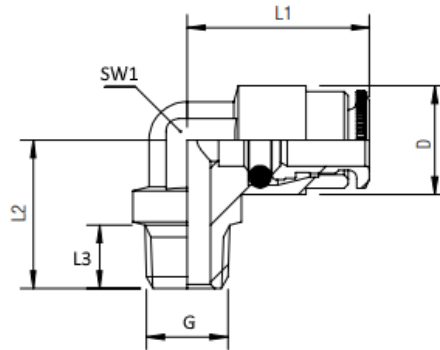
Temperature range:  
Min -30° / Max +150°

Threads:  
Tapered gas in conformity with ISO7.1, BS21, DIN2999  
Metric tapered in conformity with UNI 7707

Connecting hoses:  
plastic hoses: PA6, PA66 for high pressure  
PA11, PA12, polyethylene, polyurethane PEF, PTFE.

# Push-in fittings

## ELBOW PUSH-IN FITTING (150 bar)



Partnr	PA PIPE	G	L1	L2	L3	SW1	D
2839-3000-0405	4	M6x0,75	18	15	6	8	10,5
2839-3000-0406	4	M6x1	18	15	6	8	10,5
2839-3000-0408	4	M8x1	18	15	6	8	10,5
2839-3000-0409	4	M8x1,25	18	15	7	8	10,5
2839-3000-0410	4	M10x1	18	15	6,5	8	10,5
2839-3000-0411	4	M10x1,5	18	16,5	7,5	8	10,5
2839-3100-0402	4	R1/8	18	16,5	7,5	8	10,5
2839-3100-0404	4	R1/4	18	21,5	11	8	10,5
2839-3000-0605	6	M6x0,75	21	17	6	10	13
2839-3000-0606	6	M6x1	21	17	6	10	13
2839-3000-0608	6	M8x1	21	17	6	10	13
2839-3000-0609	6	M8x1,25	21	18	7	10	13
2839-3000-0610	6	M10x1	21	17	6,5	10	13
2839-3000-0611	6	M10x1,5	21	17	7,5	10	13
2839-3100-0602	6	R1/8	21	17,5	7,5	10	13
2839-3100-0604	6	R1/4	21	21,5	7,5	10	13

Material: Brass (nickel plated)

Coupling is equipped with HNBR o-ring

Maximum pressure with liquids: 150 bar

Maximum pressure with air: 30 bar

Temperature range:

Min -30° / Max +150°

Threads:

Tapered gas in conformity with ISO7.1, BS21, DIN2999

Metric tapered in conformity with UNI 7707

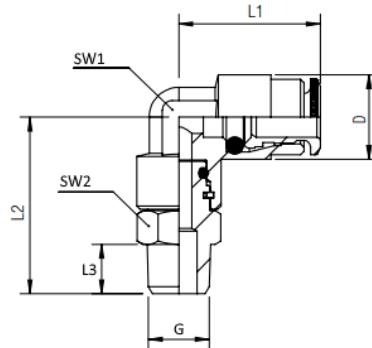
Connecting hoses:

plastic hoses: PA6, PA66 for high pressure

PA11, PA12, polyethylene, polyurethane PEF, PTFE.

# Push-in fittings

## ELBOW PUSH-IN FITTING ROTATABLE (150 bar)



Partnr	PA PIPE	G	L1	L2	L3	SW1	SW2	D
2837-3000-0406	4	M6x1	18	22,5	6	8	11	10,5
2837-3000-0408	4	M8x1	18	22,5	6	8	11	10,5
2837-3000-0409	4	M8x1,25	18	26,5	7	8	11	10,5
2837-3000-0410	4	M10x1	18	22,5	6,5	8	11	10,5
2837-3000-0411	4	M10x1,5	18	26,5	7,5	8	11	10,5
2837-3100-0402	4	R1/8	18	24	7,5	8	11	10,5
2837-3100-0404	4	R1/4	18	26,5	11	8	14	10,5
2837-3000-0606	6	M6x1	21	25,5	6	10	11	13
2837-3000-0608	6	M8x1	21	25,5	6	10	11	13
2837-3000-0609	6	M8x1,25	21	26,5	7	10	11	13
2837-3000-0610	6	M10x1	21	22,5	6,5	10	11	13
2837-3000-0611	6	M10x1,5	18	27	7,5	10	11	13
2837-3100-0602	6	R1/8	21	27	7,5	10	11	13
2837-3100-0604	6	R1/4	18	30	11	10	14	13

Material: Brass (nickel plated)

Coupling is equipped with HNBR o-ring

Maximum pressure with liquids: 150 bar

Maximum pressure with air: 30 bar

Temperature range:

Min -30° / Max +150°

Threads:

Tapered gas in conformity with ISO7.1, BS21, DIN2999  
Metric tapered in conformity with UNI 7707

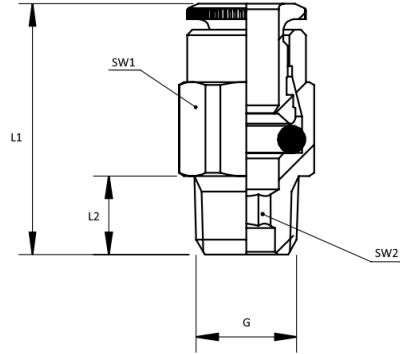
Connecting hoses:

plastic hoses: PA6, PA66 for high pressure  
PA11, PA12, polyethylene, polyurethane PEF, PTFE.



# Push-in fittings

## STRAIGHT PUSH-IN FITTING (150 bar)



Partnr	PA PIPE	G	L1	L2	SW1	SW2
2833-3000-0405	4	M6x0,75	22	6	10	2,5
2833-3000-0406	4	M6x1	22	6	10	2,5
2833-3000-0408	4	M8x1	20	6	10	3
2833-3000-0409	4	M8x1,25	23	7	10	3
2833-3000-0410	4	M10x1	20	6,5	10	3
2833-3000-0411	4	M10x1,5	22,5	7,5	10	3
2833-3100-0402	4	R1/8	21	6,5	10	3
2833-3100-0404	4	R1/4	26	11	14	3
2833-3000-0605	6	M6x0,75	24,5	6	12	2,5
2833-3000-0606	6	M6x1	24,5	6	12	2,5
2833-3000-0608	6	M8x1	24,5	6	12	3
2833-3000-0609	6	M8x1,25	26	7	12	3
2833-3000-0610	6	M10x1	21,5	6,5	12	3
2833-3000-0611	6	M10x1,5	25	7,5	12	4
2833-3100-0602	6	R1/8	23	7,5	12	3
2833-3100-0604	6	R1/4	26,5	11	14	4

Material: Brass (nickel plated)

Coupling is equipped with HNBR o-ring

Maximum pressure with liquids: 150 bar

Maximum pressure with air: 30 bar

Temperature range:

Min -30° / Max +150°

Threads:

Tapered gas in conformity with ISO7.1, BS21, DIN2999

Metric tapered in conformity with UNI 7707

Connecting hoses:

plastic hoses: PA6, PA66 for high pressure

PA11, PA12, polyethylene, polyurethane PEF, PTFE.

# Push-in fittings

## STRAIGHT PUSH-IN CONNECTOR (150 bar)



Partnr	PA PIPE	L	∅
2835-3000-0400	4	35	11
2835-3000-0600	6	35	13

Material: Brass (nickel plated)

Coupling is equipped with HNBR o-ring

Maximum pressure with liquids: 150 bar

Maximum pressure with air: 30 bar

Temperature range:

Min -30° / Max +150°

Threads:

Tapered gas in conformity with ISO7.1, BS21, DIN2999

Metric tapered in conformity with UNI 7707

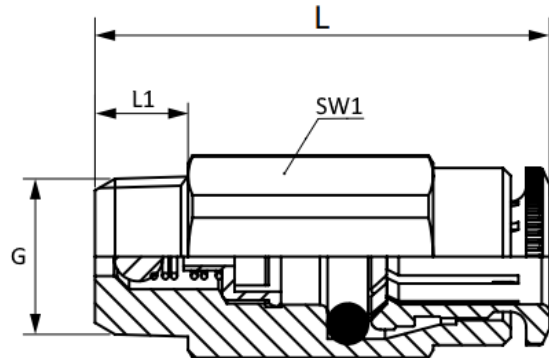
Connecting hoses:

plastic hoses: PA6, PA66 for high pressure

PA11, PA12, polyethylene, polyurethane PEF, PTFE.

# Non-return valves - Push-in fittings

## STRAIGHT PUSH-IN FITTING WITH VALVE



Partnr

PA PIPE

L

∅

Material: Brass (nickel plated)

Coupling is equipped with HNBR o-ring

Maximum pressure with liquids: 150 bar

Maximum pressure with air: 30 bar

Temperature range:

Min -30° / Max +150°

Threads:

Tapered gas in conformity with ISO7.1, BS21, DIN2999

Metric tapered in conformity with UNI 7707

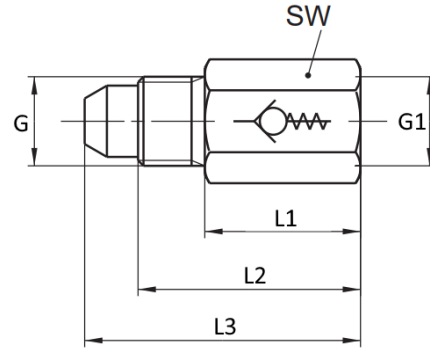
Connecting hoses:

plastic hoses: PA6, PA66 for high pressure

PA11, PA12, polyethylene, polyurethane PEF, PTFE.

# Non-return valves

## NON RETURN VALVE DOUBLE CONE DRIVES BEKA



Partnr

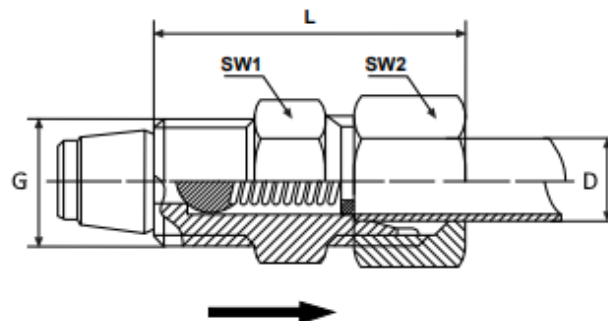
pa-leiding

1

D

# Non-return valves

## NON RETURN VALVE LINCOLN



Partnr

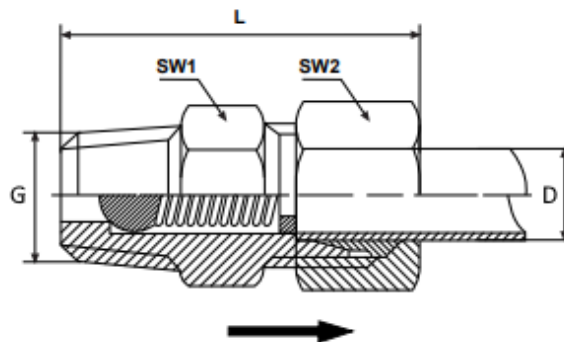
pa-leiding

L

D

# Non-return valves

## NON RETURN VALVE SKF



Partnr

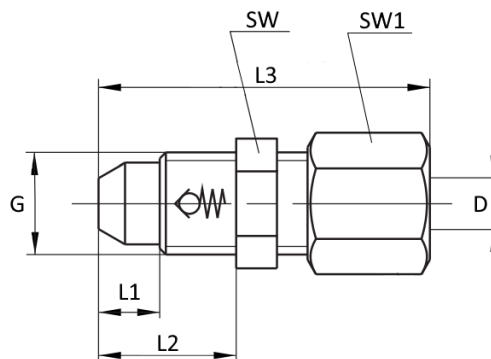
pa-leiding

L

D

# Non-return valves

## NON RETURN VALVE BEKA



Partnr

pa-leiding

I

D



# Non-return valves - Push-in fittings

## STRAIGHT PUSH-IN FITTING WITH VALVE (LINCOLN)



Partnr	PA PIPE	G	L1	L2	L3	SW1
2833-3001-0410	4	M10x1	37	14	6,5	10
2833-3001-0610	6	M10x1	37,5	14	6,5	12

Material: Brass (nickel plated)

Coupling is equipped with HNBR o-ring

Maximum pressure with liquids: 150 bar

Maximum pressure with air: 30 bar

Temperature range:

Min -30° / Max +150°

Threads:

Tapered gas in conformity with ISO7.1, BS21, DIN2999

Metric tapered in conformity with UNI 7707

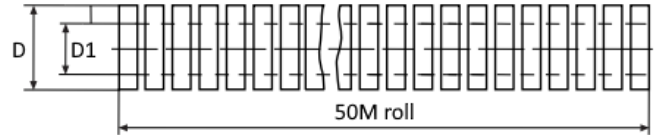
Connecting hoses:

plastic hoses: PA6, PA66 for high pressure

PA11, PA12, polyethylene, polyurethane PEF, PTFE.

# Fastening- and protection material

## Corrugated protective conduit



Item number	$\varnothing$	D1	Material
0121-0010-0007	9,9	6,9	Polypropylene
0121-0010-0010	12,9	10,1	Polypropylene

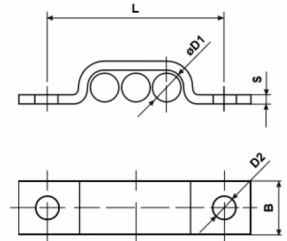
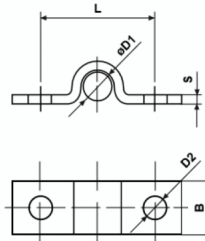
PP (polypropylene)

50m rolls

This protective hoses are available in several designs, is the desired one not listed? Please contact us for the possibilities.

# Fastening- and protection material

## HOSE CLAMP TWO SIDED (DIN72573)



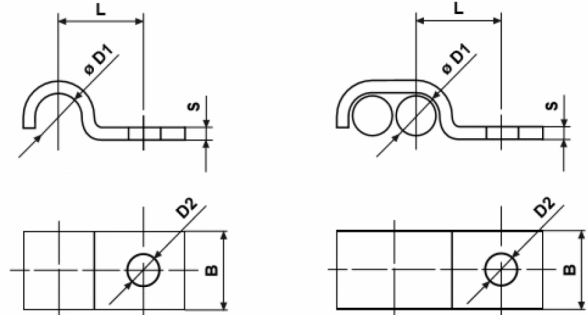
Partnr	Nr / Hose mm	d1	d2	L	B	S	Material
1114-0000-0401	1 x 4 mm	4	4.8	17	10	1	Galvanised
1114-0000-0402	2 x 4 mm	4	4.8	21	10	1	Galvanised
1114-0000-0404	4 x 4 mm	4	4.8	32	10	1	Galvanised
1114-0000-0406	6 x 4 mm	4	4.8	40	10	1	Galvanised
1114-0000-0601	1 x 6 mm	6	4.8	20	10	1	Galvanised
1114-0000-0602	2 x 6 mm	6	4.8	26	10	1	Galvanised
1114-0000-0603	3 x 6 mm	6	4.8	33	10	1	Galvanised
1114-0000-0604	4 x 6 mm	6	4.8	39	10	1	Galvanised
1114-0000-0605	5 x 6 mm	6	4.8	45	10	1	Galvanised
1114-0000-0606	6 x 6 mm	6	4.8	52	10	1	Galvanised
1114-0000-0801	1 x 8 mm	8	4.8	22	10	1	Galvanised
1114-0000-0802	2 x 8 mm	8	4.8	30	10	1	Galvanised
1114-0000-0803	3 x 8 mm	8	4.8	39	10	1	Galvanised
1114-0000-0804	4 x 8 mm	8	4.8	47	10	1	Galvanised
1114-0000-0805	5 x 8 mm	8	4.8	56	10	1	Galvanised
1114-2000-0601	1 x 6 mm	6	4.8	20	10	1	Stainless steel 316TI
1114-2000-0602	2 x 6 mm	6	4.8	26	10	1	Stainless steel 316TI
1114-2000-0603	3 x 6 mm	6	4.8	33	10	1	Stainless steel 316TI
1114-2000-0604	4 x 6 mm	6	4.8	39	10	1	Stainless steel 316TI
1114-2000-0605	5 x 6 mm	6	4.8	45	10	1	Stainless steel 316TI
1114-2000-0606	6 x 6 mm	6	4.8	52	10	1	Stainless steel 316TI
1114-2000-0801	1 x 8 mm	8	4.8	22	10	1	Stainless steel 316TI

<b>Partnr</b>	<b>Nr / Hose mm</b>	<b>d1</b>	<b>d2</b>	<b>L</b>	<b>B</b>	<b>S</b>	<b>Material</b>
1114-2000-0802	2 x 8 mm	8	4.8	30	10	1	Stainless steel 316TI
1114-2000-0803	3 x 8 mm	8	4.8	39	10	1	Stainless steel 316TI
1114-2000-0804	4 x 8 mm	8	4.8	47	10	1	Stainless steel 316TI

Two-sided pipe clamp, for attaching one to six hoses.

# Fastening- and protection material

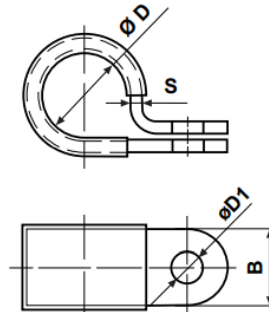
## HOSE CLAMP ONE SIDED (DIN72571)



Partnr	Nr / Hose mm	d1	d2	L	B	S	Material
1110-0000-0401	1 x 4 mm	4	4.8	9	10	1	Galvanised
1110-0000-0402	2 x 4 mm	4	4.8	10	10	1	Galvanised
1110-0000-0601	1 x 6 mm	6	4.8	10	10	1	Galvanised
1110-0000-0602	2 x 6 mm	6	4.8	13	10	1	Galvanised
1110-0000-0701	1 x 7 mm	7	4.8	10	10	1	Galvanised
1110-0000-0801	1 x 8 mm	8	4.8	11	10	1	Galvanised
1110-0000-0802	2 x 8 mm	8	4.8	15	10	1	Galvanised
1110-0000-1001	1 x 10 mm	10	4.8	11	10	1	Galvanised
1110-0000-1201	1 x 12 mm	12	5.8	16	12	1.5	Galvanised
1110-2000-0401	1 x 4 mm	4	4.8	9	10	1	Stainless steel 316TI
1110-2000-0801	1 x 8 mm	8	4.8	11	10	1	Stainless steel 316TI
1110-2000-1001	1 x 10 mm	10	4.8	11	10	1	Stainless steel 316TI

# Fastening- and protection material

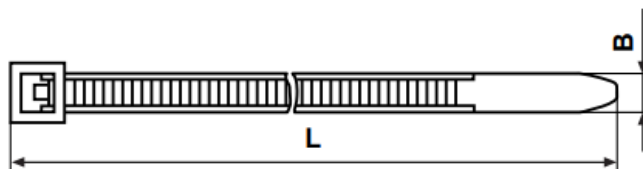
## HOSE CLAMP (RSGU)



Partnr	Nr / Hose mm	d1	d2	l	B	S	Material
--------	--------------	----	----	---	---	---	----------

# Fastening- and protection material

## CABLE TIES

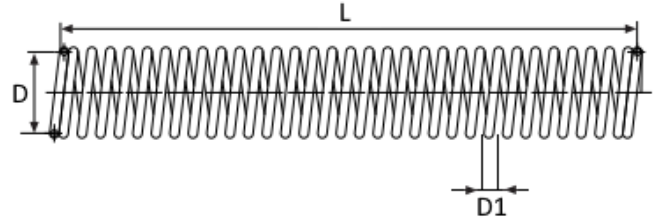


Partnr	Ø	L	Verpakkingseenheid
1108-0025-0140	2,5	140	100
1108-0048-0200	4,8	200	100
1108-0048-0380	4,8	380	100
1108-0076-0368	7,5	360	100
1108-0090-0780	9	780	100

*Polyamide 6.6*

# Fastening- and protection material

## PROTECTIVE SPRINGS



Partnr

b

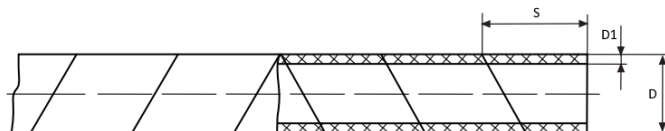
L

Verpakkingseenheid



# Fastening- and protection material

## SPIRAL HOSE PROTECTOR



**Partnr**

**∅**

**D1**

**S**

0121-0001-0006

6

0,75

7

0121-0001-0012

12

1,5

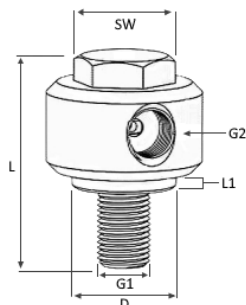
14

*PE (polyethylene)*



# Accessoires

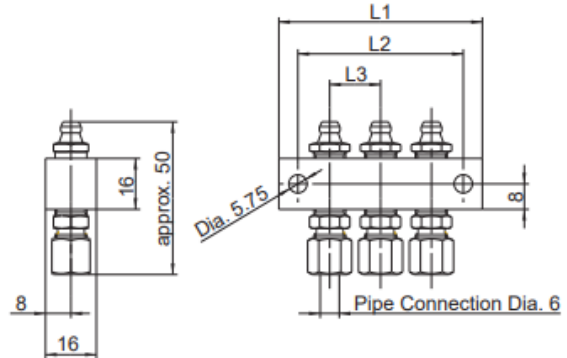
## SWIVEL FOR CONSTRUCTION MACHINERY



Partnr	G1	G2	Ø	L	L1	SW	Material
2853-0100-2102	R1/8 BSP	R1/8 BSP	20	20	8	17	Zink-nikkel
2853-0100-2002	R1/8 BSP	R1/8 BSP	20	20	3	17	Zink-nikkel
2853-0100-1502	R1/8 BSP	R1/8 BSP	15	20	8	17	Zink-nikkel
2853-0000-2110	M10x1	R1/8 BSP	20	20	8	17	Zink-nikkel
2853-0000-2010	M10x1	R1/8 BSP	20	20	3	17	Zink-nikkel
2843-0000-1510	M10x1	R1/8 BSP	15	20	8	17	Zink-nikkel

# Accessoires

## GREASE HEADER BLOCKS BEKA 16X16



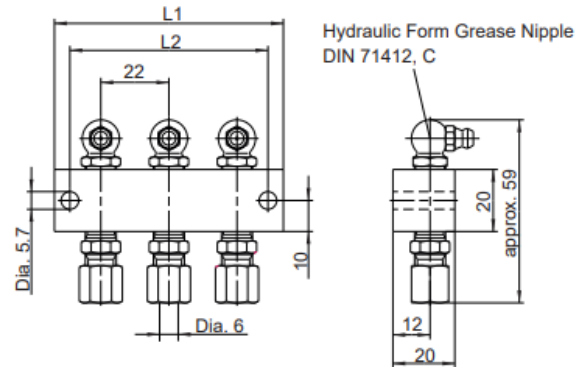
Partnr	Outlets	L1	L2	L3	Material
2159 0020 065	1	32	20	16	Zink-nikkel
2159 0020 066	2	52	40	16	Zink-nikkel
2159 0020 067	3	64	52	16	Zink-nikkel
2159 0020 068	4	80	68	16	Zink-nikkel
2159 0020 069	5	96	84	16	Zink-nikkel
2159 0020 070	6	112	100	16	Zink-nikkel
2159 0020 072	8	144	132	16	Zink-nikkel

Original BEKA

Pre-assembled with cuttingring fitting and grease zerkl.

# Accessoires

## GREASE HEADER BLOCKS BEKA 20X20



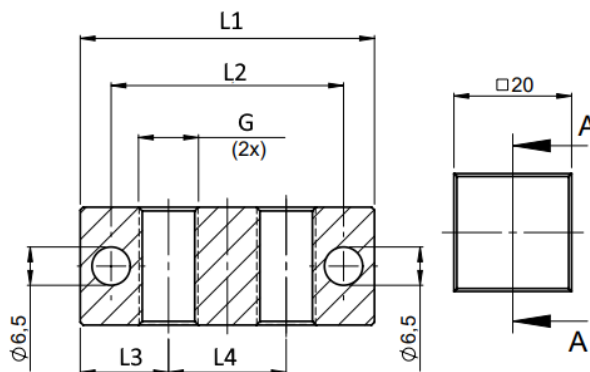
Partnr	Outlets	L1	L2	Material
2159 0020 014	1	32	20	Zink-nikkel
2159 0020 024	2	52	42	Zink-nikkel
2159 0020 025	3	74	64	Zink-nikkel
2159 0020 026	4	96	86	Zink-nikkel
2159 0020 028	6	140	130	Zink-nikkel
2159 0020 029	8	184	174	Zink-nikkel

Original BEKA

Pre-assembled with cuttingring fitting and grease zerk.

# Accessoires

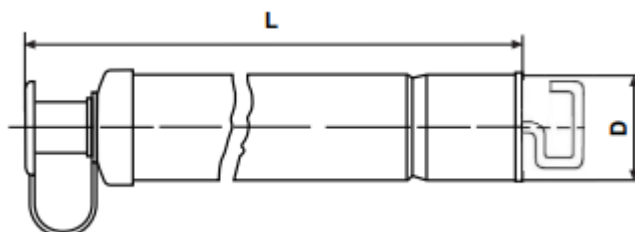
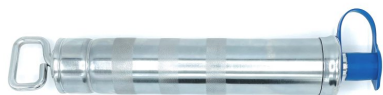
## GREASE HEADER BLOCKS



Partnr	G	Outlets	L1	L2	L3	L4	Material
2825-0000-1001	M10x1	1	30	20	15	20	Zinc-nickel
2825-0000-1002	M10x1	2	50	40	15	20	Zinc-nickel
2825-0000-1003	M10x1	3	70	60	15	20	Zinc-nickel
2825-0000-1004	M10x1	4	90	80	15	20	Zinc-nickel
2825-0000-1005	M10x1	5	110	100	15	20	Zinc-nickel
2825-0000-1006	M10x1	6	130	120	15	20	Zinc-nickel
2825-0000-1008	M10x1	8	170	160	15	20	Zinc-nickel
2825-0000-1010	M10x1	10	210	200	15	20	Zinc-nickel
2825-0100-0202	R1/8	2	50	40	15	20	Zinc-nickel
2825-0100-0206	R1/8	6	130	120	15	20	Zinc-nickel

# Accessoires

## GREASE GUN 400GR



Partnr

2853-0000-0400

∨

325,5

◇

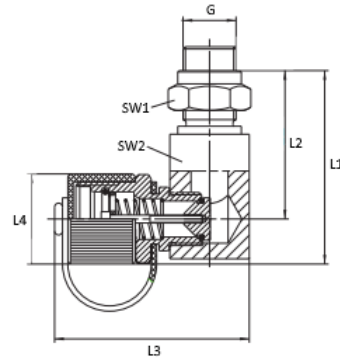
56

The grease gun is supplied as standard with a stub, so that you can easily insert it into the pump. For this purpose, you can use the filling connectors from our product range.

It is also possible to remove the stub so that you can screw the grease gun directly on the pump. M26x1,5 connection.

# Accessoires

## GREASE FILL CONNECTION 90° WITH VALVE



Partnr	G	L1	L2	L3	L4	SW1	SW2	Material
2853-0902-2001	M20x1,5	74	56	73	38	27	30	Zink-nikkel

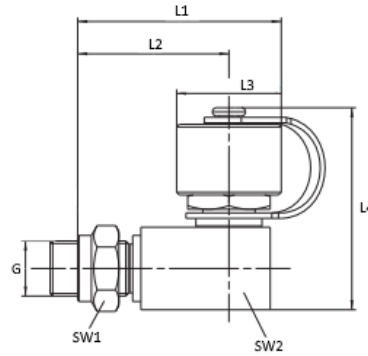
Including red dust cap

Original BEKA



# Accessoires

## GREASE FILL CONNECTION 90°



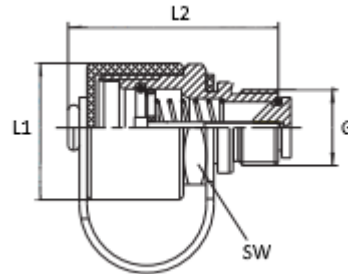
Partnr	G	L1	L2	L3	L4	SW1	SW2	Material
2853-0901-2001	M20x1,5	109	91	38	73	27	30	Zink-nikkel
2853-0901-2000	M20x1,5	74	56	38	73	27	30	Zink-nikkel

Including red dust cap

Original BEKA

# Accessoires

## GREASE FILL CONNECTION WITH VALVE



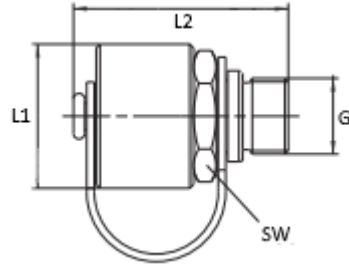
Partnr	G	L1	L2	SW	Material
2853-0002-2200	M22x1,5	38	57	30	Zink-nikkel
2853-0002-2000	M20x1,5	38	57	30	Zink-nikkel

Including red dust cap

Original BEKA

# Accessoires

## GREASE FILL CONNECTION



Partnr	G	L1	L2	SW	Material
2853-0001-2200	M22x1,5	38	57	30	Zink-nikkel
2853-0001-2000	M20x1,5	38	57	30	Zink-nikkel

Including red dust cap

Original BEKA

# Accessoires

## MANOMETER PLASTIC 1/8



<i>Partnr</i>	<i>Bar</i>	<i>Case</i>
1252-0001-0400 AA	0-400	Kunstof
1252-0000-0400 OA	0-400	Kunstof

Case diameter: 40MM

Connection: 1/8 BSP brass

These pressure gauges are available in several versions, is the desired one not listed? Please contact us for the possibilities.

AA=BACK ENTRY

OA= BOTTEM ENTRY

# Accessoires

## MANOMETER BACK ENTRY



<b>Partnr</b>	<b>Bar</b>	<b>Case</b>
1255-0001-0010	0-10	Staal
1255-0001-0250	0-250	Staal
1255-0001-0400	0-400	Staal
1255-0001-0600	0-600	Staal

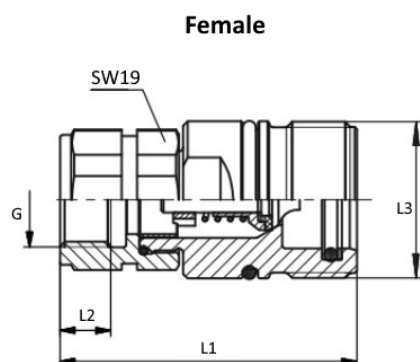
Case diameter: 63MM

Connection: 1/4 BSP brass back entry

These pressure gauges are available in several versions, is the desired one not listed? Please contact us for the possibilities.

# Accessoires

## SCREW QUICK RELEASE COUPLING 1/4 FEMALE



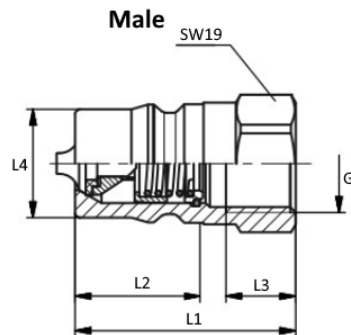
Partnr	G	L1	L2	L3	Material
0906-0100-0400	1/4 BSP	59,1	12	M24X2	Zinc-nickel

The coupled working pressure is 300 bar

Looking for the complete set ? [Click here](#) for the male coupling.

# Accessoires

## QUICK RELEASE COUPLING 1/4 MALE B-SERIE



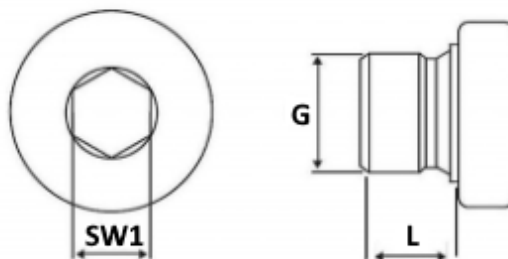
Partnr	G	L1	L2	L3	L4	Material
0916-0000-0400 MALE	1/4 BSP	38	21,5	12	14,2	Zinc-nickel

The coupled working pressure is 250 bar

Looking for the complete set ? [Click here](#) for the female coupling.

# Accessoires

## CLOSURE PLUGS



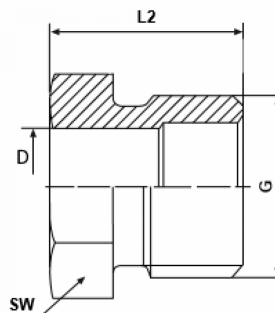
<b>Partnr</b>	<b>G</b>	<b>L</b>	<b>SW1</b>	<b>Material</b>
0410-0000-1000	M10x1 ED	8	5	Galvanised
0410-0100-0200	R1/8 BSP ED	8	5	Galvanised
0410-0001-1000 LINCOLN	M10x1	4,5	5	Zinc-iron
0410-2000-1000	M10x1 ED	8	5	Stainless steel 316TI
0410-2100-0200	R1/8 BSP ED	8	5	Stainless steel 316TI
0410-2001-1000 LINCOLN	M10x1	4,5	5	Stainless steel 316TI

(ED) = plugs with seal.



# Accessoires

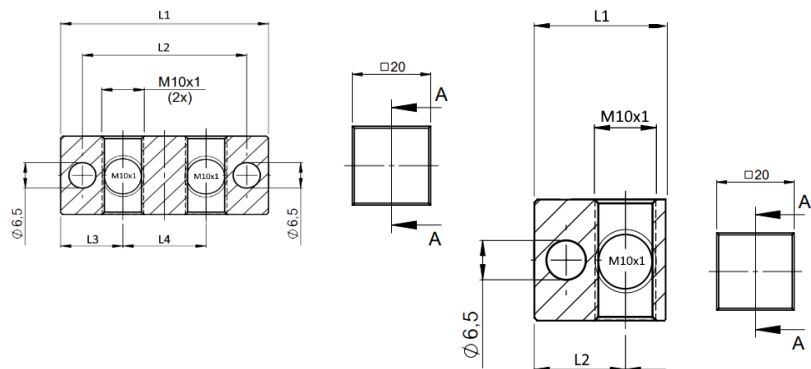
## UNION SCREW



Partnr	D	G	L2	Verpakkingseenheid	Material
2873-0000-0600	6	M10x1	13	100	Zinc-nickel
2873-2000-0402	4	M8x1	12	100	Stainless steel 316Ti

# Accessoires

## GREASE HEADER BLOCKS T-DRILLING



Partnr	Outlets	Mounting holes	Mounting holes				Material
			L1	L2	L3	L4	
S-2825-0001-1001	1	1	38	28	20	22	Zinc-nickel
S-2825-0001-1002	2	2	60	50	20	22	Zinc-nickel
S-2825-0001-1003	3	2	84	74	20	22	Zinc-nickel
S-2825-0001-1004	4	2	106	96	20	22	Zinc-nickel
S-2825-0001-1005	5	2	128	118	20	22	Zinc-nickel
S-2825-0001-1006	6	2	150	140	20	22	Zinc-nickel
S-2825-0001-1008	8	2	195	184	20	22	Zinc-nickel

Including VST M10x1 ED plug.

# Accessoires

## MANOMETER BOTTEM ENTRY



<i>Partnr</i>	<i>Bar</i>	<i>Case</i>
1255-0000-0010	0-10	Staal
1255-0000-0100	0-100	Staal
1255-0000-0250	0-250	Staal
1255-0000-0400	0-400	Staal
1255-0002-0400 SKF	0-400	Staal
1255-0000-0600	0-600	Staal

Case diameter: 63MM

Connection: 1/4 BSP brass under

These pressure gauges are available in several versions, is the desired one not listed? Please contact us for the possibilities.

# Accessoires

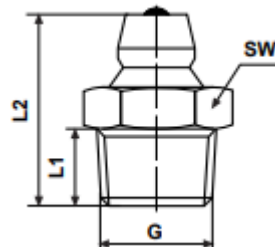
## MANOMETER FITTING



Partnr	D	G	G1	SW	SW1	Material
0433-0123-1004	10	1/4	M16x1,5	19	19	Zinc-nickel
0433-0123-0804	8	1/4	M14x1,5	19	17	Zinc-nickel
0433-0123-0604	6	1/4	M12x1,5	14	19	Zinc-nickel
0433-0123-1204	12	1/4	M18x1,5	19	22	Zinc-nickel

# Accessoires

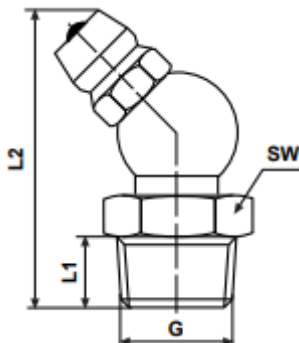
## GREASE NIPPLE 180°



<b>Partnr</b>	<b>G</b>	<b>L1</b>	<b>L2</b>	<b>SW</b>	<b>Material</b>
2820-0000-0600	M6x1 con	5,5	15	7	Galvanised
2820-0000-0800	M8x1 con	5,5	15	9	Galvanised
2820-0000-1000	M10x1 con	5,5	15	11	Galvanised
2820-0100-0200	R1/8 con	5,5	15	11	Galvanised
2820-0100-0400	R1/4 con	6,5	17,5	14	Galvanised
2820-2000-0600	M6x1 con	5,5	15	7	Stainless steel 316TI
2820-2000-0800	M8x1 con	5,5	15	9	Stainless steel 316TI
2820-2000-1000	M10x1 con	5,5	15	11	Stainless steel 316TI

# Accessoires

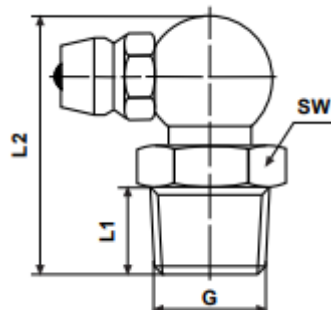
## GREASE NIPPLE 45°



Partnr	G	L1	L2	SW	Material
2820-0040-1000	M10x1 con	5,5	25	11	Galvanised
2820-0140-0200	R1/8 con	5,5	25	11	Galvanised
2820-0140-0400	R1/4 con	6,5	22,5	14	Galvanised
2820-0040-0800	M8x1 con	5,5	23,5	14	Galvanised
2820-0040-0600	M6x1 con	5,5	23,5	9	Galvanised

# Accessoires

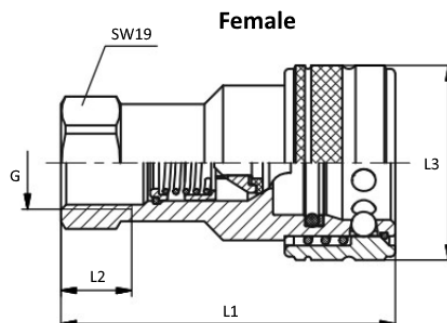
## GREASE NIPPLE 90°



<b>Partnr</b>	<b>G</b>	<b>L1</b>	<b>L2</b>	<b>SW</b>	<b>Material</b>
2820-0190-0200	R1/8 con	5,5	20	11	Galvanised
2820-0090-1000	M10x1 con	5,5	20	11	Galvanised
2820-0090-0800	M8x1 con	5,5	18	9	Galvanised
2820-0190-0400	R1/4 con	6,5	22	14	Galvanised
2820-0090-0600	M6x1 con	5,5	18	6	Galvanised

# Accessoires

## QUICK RELEASE COUPLING FEMALE B-SERIE



**Partnr**

**G**

**L1**

**L2**

**L3**

**Material**

0915-0000-0400 FEMALE

1/4 BSP

60

12

28

Zinc-nickel

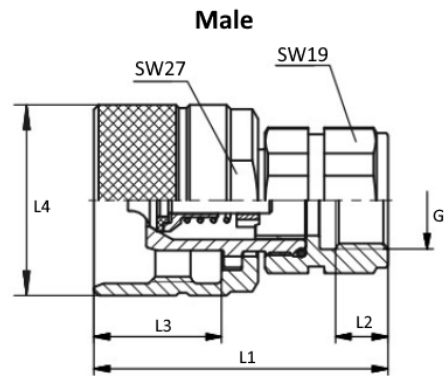
The coupled working pressure is 250 bar

Looking for the complete set ? [Click here](#) for the male coupling.



# Accessoires

## SCREW QUICK RELEASE COUPLING 1/4 MALE



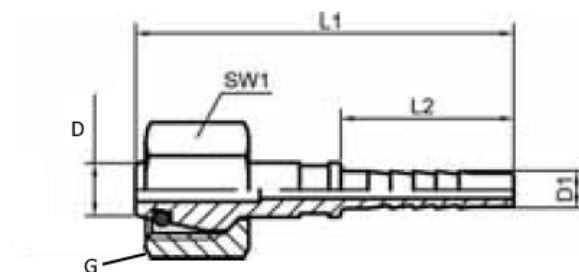
Partnr	G	L1	L2	L3	L4	Material
0907-0100-0400	1/4 BSP	58	12	25,1	30	Zinc-nickel

The coupled working pressure is 300 bar

Looking for the complete set ? [Click here](#) for the female coupling.

# Accessoires

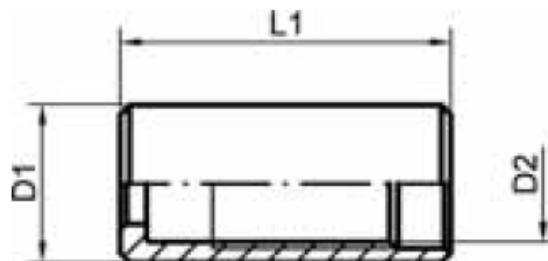
## PRESS COUPLING 180 DN4



Partnr	D	D1	G	L1	L2	SW1
2801-0003-0604	6	4	M10x1	38	19	12
2801-0023-0604	6	4	M12x1,5	42,5	19	14

# Accessoires

## PRESS SLEEVE DN4



Partnr

2876-0000-0400

D1

12

D2

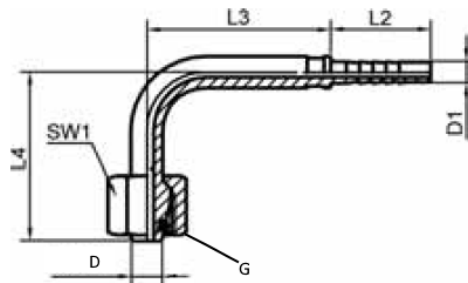
8,9

L1

25

# Accessoires

## PRESS COUPLING 90 DN4



Partnr

D1

$\varnothing 2$

L1

