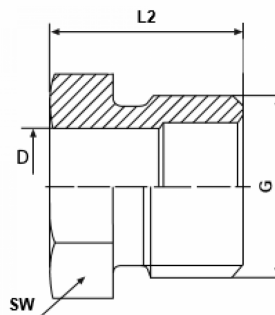


## Brass fittings



# Brass fittings

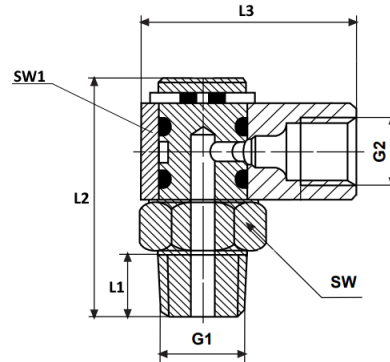
## UNION SCREW BRASS



Partnr	D	G	L2	Verpakkingseenheid	Material
2873-3000-0602	6	M10x1	13	100	Brass
2873-3000-0402	4	M8x1	12	100	Brass

# Brass fittings

## HINGE (SWIVEL BRASS)

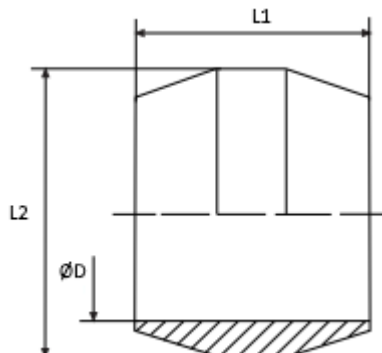


Partnr	G1	G2	L1	L2	L3	SW	SW1	Material
2840-3000-0806	M6x1 con	M8x1	8	30	26,5	14	15	Brass
2840-3000-0808	M8x1 con	M8x1	8	30	26,5	14	15	Brass
2840-3000-0809	M8x1,25 con	M8x1	8	30	26,5	14	15	Brass
2840-3000-0810	M10x1 con	M8x1	8	30	26,5	14	15	Brass
2840-3000-1006	M6x1 con	M10x1	8	30	26,5	14	15	Brass
2840-3000-1008	M8x1 con	M8x1	8	30	26,5	14	15	Brass
2840-3000-1010	M10x1 con	M10x1	8	30	26,5	14	15	Brass
2840-3100-0802	R1/8 con	M8x1	8	30	26,5	14	15	Brass
2840-3100-1002	R1/8 con	M10x1	8	30	26,5	14	15	Brass

This angled swivel is available in different sizes.  
The different versions can be found in the table below.

# Brass fittings

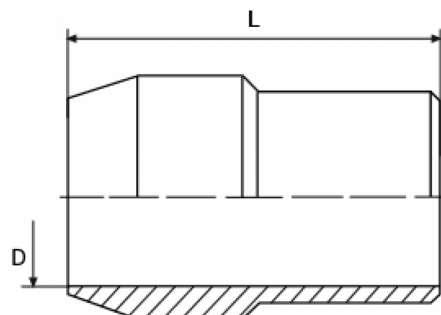
## OLIVES



Partnr	Ø	L1	L2	Serie	Material
2873-3000-0601	6	6,5	8	LL	Brass
2873-3000-0401	4	5,5	6	LL	Brass
2873-2000-0400	4	5,5	6	LL	Stainless steel 316TI

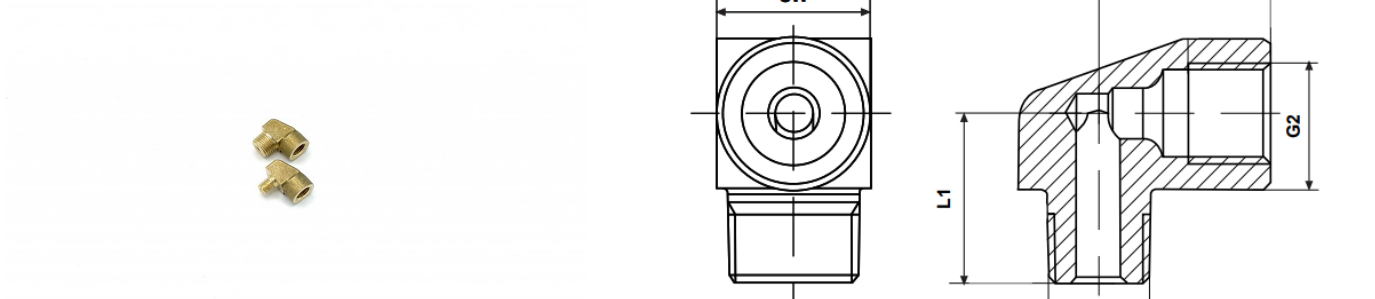
# Brass fittings

## CONICAL CUTTING RING FOR PA12 HL



# Brass fittings

## ELBOW (DIN3862)



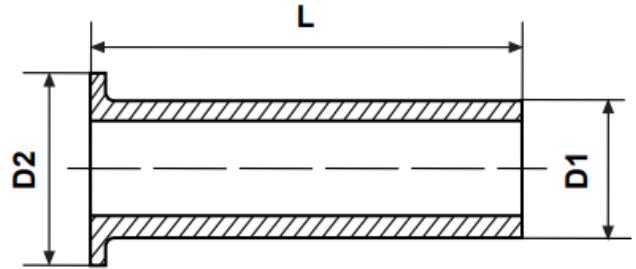
Partnr	G1	G2	L1	L2	SW	Material
2853-3000-0406	M6x1 con	M8x1	13,5	13,6	12	Brass
2853-3000-0408	M8x1 con	M8x1	13,5	13,6	12	Brass
2853-3000-0410	M10x1 con	M8x1	13,5	13,6	12	Brass

90 degree elbow with conical connection, suitable for 4 mm PA tube.

Material: Brass

# Brass fittings

## REINFORCEMENT SLEEVE (BRASS)



Partnr	PA12 HL	D1	D2	L	Verpakkingseenheid	Material
2274-3000-0408	4,0X0,85	2,2	3,7	10,3	per 100	Brass

For reinforcing thin-walled and soft tubes as well as plastic tubes. Packaging unit per 100 pieces.

Material: Brass

