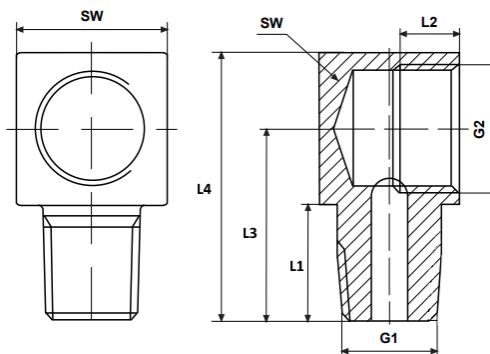


Adapters



Adapters

BLOCK ADAPTER 45°



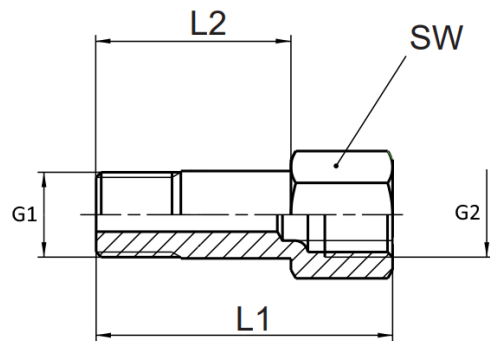
Partnr	G1	G2	L1	L2	L3	L4	SW	Material
2851-0000-0606	M6x1 con	M6x1	10	4	16,5	23	12	Zinc-nickel
2851-0000-0608	M6x1 con	M8x1	10	4	16,5	23	12	Zinc-nickel
2851-0000-0610	M6x1 con	M10x1	10	4	16,5	23	12	Zinc-nickel
2851-0000-0806	M8x1 con	M6x1	10	4	16,5	23	12	Zinc-nickel
2851-0000-0808	M8x1 con	M8x1	10	4	16,5	23	12	Zinc-nickel
2851-0000-0809	M8x1,25 con	M8x1,25	10	4	19	24	13	Galvanised
2851-0000-0810	M8x1 con	M10x1	10	4	16,5	23	12	Zinc-nickel
2851-0000-0811	M8x1,25 con	M10x1	10	4	16,5	23	12	Zinc-nickel
2851-0000-1008	M10x1 con	M8x1	10	4	16,5	23	12	Zinc-nickel
2851-0000-1010	M10x1 con	M10x1	10	4	16,5	23	12	Zinc-nickel
2851-0100-0202	R1/8 con	R1/8	10	4	16,5	23	12	Zinc-nickel
2851-0100-0210	R1/8 con	M10x1	10	4	16,5	23	12	Zinc-nickel
2851-0100-0404	R1/4 con	R1/4	12	8	21	28	17	Zinc-nickel
2851-0100-0410	R1/4 con	M10x1	12	8	21	26	14	Galvanised
2851-0100-0802	M8x1 con	R1/8	10	4	16,5	23	12	Zinc-nickel
2851-2000-0610	M6x1 con	M10x1	10	4	16,5	23	12	Stainless steel 316TI
2851-2000-0810	M8x1 con	M10x1	10	4	16,5	23	12	Stainless steel 316TI
2851-2000-1010	M10x1 con	M10x1	10	4	16,5	23	12	Stainless steel 316TI

Elbow 90 ° for making a right angle connection to your central lubrication system. This elbow piece is available in several sizes and designs, as you can find in the table below.

Material: Zinc-Nickel, Galvanized

Adapters

EXTENSION NIPPLE

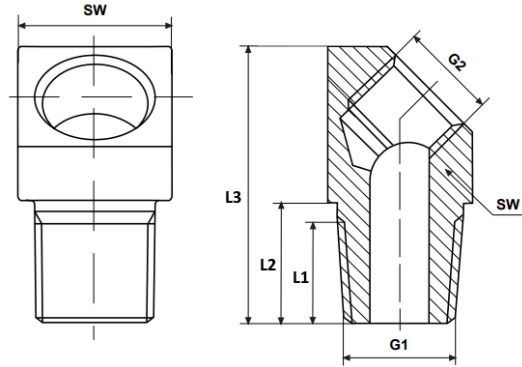


Partnr	G1	G2	L1	L2	Material
2850-0006-0817	M6x1 con	M8x1	17	6	Zinc-nickel
2850-0006-0820	M6x1 con	M8x1	20	6	Zinc-nickel
2850-0006-1025	M6x1 con	M10x1	24	6	Zinc-nickel
2850-0008-0817	M8x1 con	M8x1	17	6	Zinc-nickel
2850-0008-0818	M8x1 con	M8x1	18	6	Zinc-nickel
2850-0008-0819	M8x1,25 con	M8x1,25	18	6	Zinc-nickel
2850-0008-0833	M8x1 con	M8x1	33	21	Zinc-nickel
2850-0008-0862	M8x1 con	M8x1	62	50	Zinc-nickel
2850-0008-1021	M8x1 con	M10x1	21	6	Zinc-nickel
2850-0010-0817	M10x1 con	M8x1	17	6	Zinc-nickel
2850-0010-1018	M10x1 con	M10x1	18	8	Zinc-nickel
2850-0010-1021	M10x1 con	M10x1	21	6	Zinc-nickel
2850-0010-1023	M10x1 con	M10x1	23	6	Zinc-nickel
2850-0010-1024	M10x1 con	M10x1	24	12	Zinc-nickel
2850-0010-1036	M10x1 con	M10x1	36	24	Zinc-nickel
2850-0010-1040	M10x1 con	M10x1	40	38	Zinc-nickel
2850-0010-1051	M10x1 con	M10x1	51	49	Zinc-nickel
2850-0102-0218	R1/8 con	R1/8	18	6	Zinc-nickel
2850-0102-0220	R1/8 con	R1/8	20	8	Zinc-nickel
2850-0102-0224	R1/8 con	R1/8	24	10	Zinc-nickel
2850-0102-0235	R1/8 con	R1/8	35		Zinc-nickel
2850-0102-0250	R1/8 con	R1/8	50	48	Zinc-nickel

Partnr	G1	G2	L1	L2	Material
2850-0102-1021	R1/8 con	M10x1	21	6	Zinc-nickel
2850-0102-1051	R1/8 con	M10x1	51	38	Zinc-nickel
2850-0104-0220	R1/4 con	R1/8	20	10	Zinc-nickel
2850-0104-1020	R1/4 con	M10x1	20	10	Zinc-nickel
2850-0104-1035	R1/4 con	M10x1	35	23	Zinc-nickel
2850-0104-1056	R1/4 con	M10x1	56	44	Zinc-nickel
2850-0110-0222	M10x1 con	R1/8	22		Zinc-nickel
2850-2006-0630	M6x1 con	M6x1	30	20	Stainless steel 316TI
2850-2006-1018	M6x1 con	M10x1	18		Stainless steel 316TI
2850-2008-0817	M8x1 con	M8x1	17	6	Stainless steel 316TI
2850-2008-1018	M8x1 con	M10x1	18	8	Stainless steel 316TI
2850-2010-0817	M10x1 con	M8x1	17	6	Stainless steel 316TI
2850-2010-1018	M10x1 con	M10x1	18	8	Stainless steel 316TI
2850-2102-0230	R1/8 con	R1/8	32		Stainless steel 316TI
2850-2102-0250	R1/8 con	R1/8	50	48	Stainless steel 316TI

Adapters

BLOCK ADAPTER 45°



Partnr	G1	G2	L1	L2	L3	SW	Material
2852-0000-0608	M6x1 con	M8x1	6,5	10	23	12	Zinc-nickel
2852-0000-0808	M8x1 con	M8x1	6,5	10	23	13	Zinc-nickel
2852-0000-0908	M8x1,25 con	M8x1	6,5	10	23	12	Zinc-nickel
2852-0000-1008	M10x1 con	M8x1	6,5	10	23	13	Zinc-nickel
2852-0000-1010	M10x1 con	M10x1	4,5	7,5	21	13	Zinc-nickel
2852-0100-0202	R1/8 con	R1/4	5	10	23	12	Zinc-nickel
2852-0100-0404	R1/4 con	R1/4	6	10	23	13	Zinc-nickel

Elbow 45 ° for making a connection at 45 degrees to your central lubrication system. This 45 ° elbow is available in different sizes and designs, as you can find in the table below.

Material: Zinc-Nickel, Galvanized

