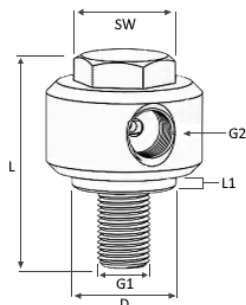


Accessoires



Accessoires

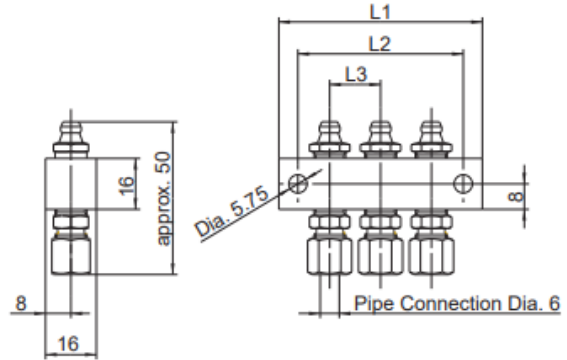
SWIVEL FOR CONSTRUCTION MACHINERY



Partnr	G1	G2	Ø	L	L1	SW	Material
2853-0100-2102	R1/8 BSP	R1/8 BSP	20	20	8	17	Zink-nikkel
2853-0100-2002	R1/8 BSP	R1/8 BSP	20	20	3	17	Zink-nikkel
2853-0100-1502	R1/8 BSP	R1/8 BSP	15	20	8	17	Zink-nikkel
2853-0000-2110	M10x1	R1/8 BSP	20	20	8	17	Zink-nikkel
2853-0000-2010	M10x1	R1/8 BSP	20	20	3	17	Zink-nikkel
2843-0000-1510	M10x1	R1/8 BSP	15	20	8	17	Zink-nikkel

Accessoires

GREASE HEADER BLOCKS BEKA 16X16



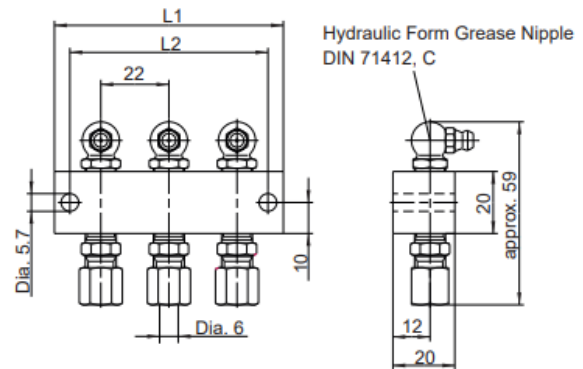
Partnr	Outlets	L1	L2	L3	Material
2159 0020 065	1	32	20	16	Zink-nikkel
2159 0020 066	2	52	40	16	Zink-nikkel
2159 0020 067	3	64	52	16	Zink-nikkel
2159 0020 068	4	80	68	16	Zink-nikkel
2159 0020 069	5	96	84	16	Zink-nikkel
2159 0020 070	6	112	100	16	Zink-nikkel
2159 0020 072	8	144	132	16	Zink-nikkel

Original BEKA

Pre-assembled with cuttingring fitting and grease zerkl.

Accessoires

GREASE HEADER BLOCKS BEKA 20X20



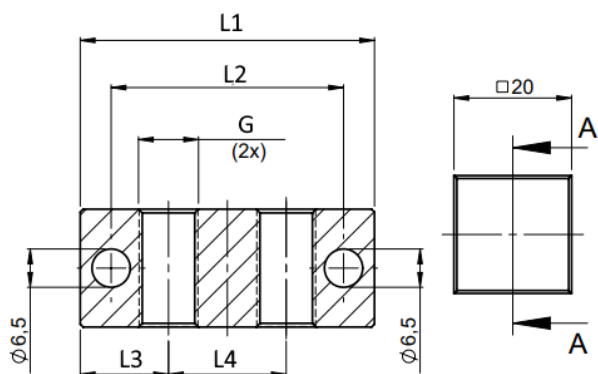
Partnr	Outlets	L1	L2	Material
2159 0020 014	1	32	20	Zink-nikkel
2159 0020 024	2	52	42	Zink-nikkel
2159 0020 025	3	74	64	Zink-nikkel
2159 0020 026	4	96	86	Zink-nikkel
2159 0020 028	6	140	130	Zink-nikkel
2159 0020 029	8	184	174	Zink-nikkel

Original BEKA

Pre-assembled with cuttingring fitting and grease zerk.

Accessoires

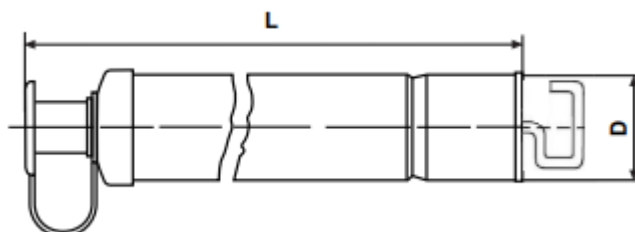
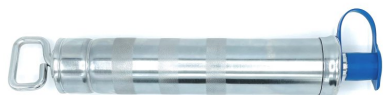
GREASE HEADER BLOCKS



Partnr	G	Outlets	L1	L2	L3	L4	Material
2825-0000-1001	M10x1	1	30	20	15	20	Zinc-nickel
2825-0000-1002	M10x1	2	50	40	15	20	Zinc-nickel
2825-0000-1003	M10x1	3	70	60	15	20	Zinc-nickel
2825-0000-1004	M10x1	4	90	80	15	20	Zinc-nickel
2825-0000-1005	M10x1	5	110	100	15	20	Zinc-nickel
2825-0000-1006	M10x1	6	130	120	15	20	Zinc-nickel
2825-0000-1008	M10x1	8	170	160	15	20	Zinc-nickel
2825-0000-1010	M10x1	10	210	200	15	20	Zinc-nickel
2825-0100-0202	R1/8	2	50	40	15	20	Zinc-nickel
2825-0100-0206	R1/8	6	130	120	15	20	Zinc-nickel

Accessoires

GREASE GUN 400GR



Partnr

2853-0000-0400

∨

325,5

◇

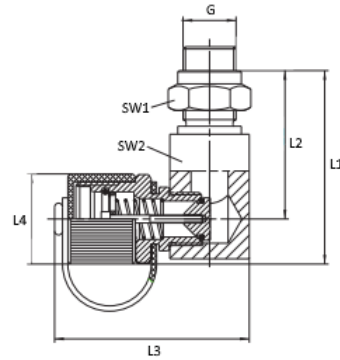
56

The grease gun is supplied as standard with a stub, so that you can easily insert it into the pump. For this purpose, you can use the filling connectors from our product range.

It is also possible to remove the stub so that you can screw the grease gun directly on the pump. M26x1,5 connection.

Accessoires

GREASE FILL CONNECTION 90° WITH VALVE



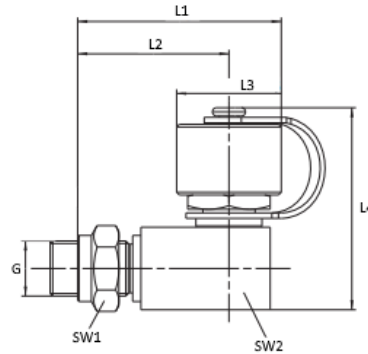
Partnr	G	L1	L2	L3	L4	SW1	SW2	Material
2853-0902-2001	M20x1,5	74	56	73	38	27	30	Zink-nikkel

Including red dust cap

Original BEKA

Accessoires

GREASE FILL CONNECTION 90°



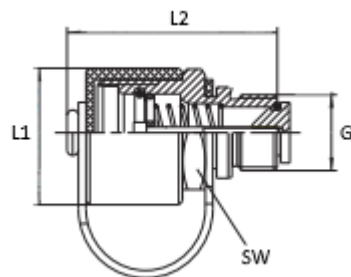
Partnr	G	L1	L2	L3	L4	SW1	SW2	Material
2853-0901-2001	M20x1,5	109	91	38	73	27	30	Zink-nikkel
2853-0901-2000	M20x1,5	74	56	38	73	27	30	Zink-nikkel

Including red dust cap

Original BEKA

Accessoires

GREASE FILL CONNECTION WITH VALVE



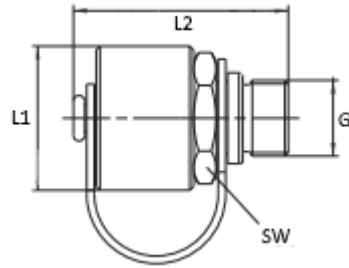
Partnr	G	L1	L2	SW	Material
2853-0002-2200	M22x1,5	38	57	30	Zink-nikkel
2853-0002-2000	M20x1,5	38	57	30	Zink-nikkel

Including red dust cap

Original BEKA

Accessoires

GREASE FILL CONNECTION



Partnr	G	L1	L2	SW	Material
2853-0001-2200	M22x1,5	38	57	30	Zink-nikkel
2853-0001-2000	M20x1,5	38	57	30	Zink-nikkel

Including red dust cap

Original BEKA

Accessoires

MANOMETER PLASTIC 1/8



<i>Partnr</i>	<i>Bar</i>	<i>Case</i>
1252-0001-0400 AA	0-400	Kunstof
1252-0000-0400 OA	0-400	Kunstof

Case diameter: 40MM

Connection: 1/8 BSP brass

These pressure gauges are available in several versions, is the desired one not listed? Please contact us for the possibilities.

AA=BACK ENTRY

OA= BOTTEM ENTRY

Accessoires

MANOMETER BACK ENTRY



Partnr	Bar	Case
1255-0001-0010	0-10	Staal
1255-0001-0250	0-250	Staal
1255-0001-0400	0-400	Staal
1255-0001-0600	0-600	Staal

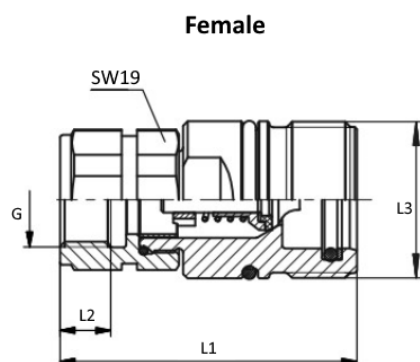
Case diameter: 63MM

Connection: 1/4 BSP brass back entry

These pressure gauges are available in several versions, is the desired one not listed? Please contact us for the possibilities.

Accessoires

SCREW QUICK RELEASE COUPLING 1/4 FEMALE



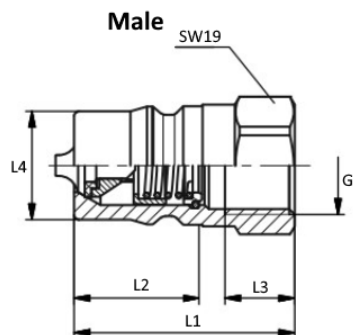
Partnr	G	L1	L2	L3	Material
0906-0100-0400	1/4 BSP	59,1	12	M24X2	Zinc-nickel

The coupled working pressure is 300 bar

Looking for the complete set ? [Click here](#) for the male coupling.

Accessoires

QUICK RELEASE COUPLING 1/4 MALE B-SERIE



Partnr	G	L1	L2	L3	L4	Material
0916-0000-0400 MALE	1/4 BSP	38	21,5	12	14,2	Zinc-nickel

The coupled working pressure is 250 bar

Looking for the complete set ? [Click here](#) for the female coupling.

Accessoires

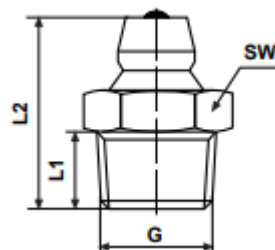
MANOMETER FITTING



Partnr	D	G	G1	SW	SW1	Material
0433-0123-1004	10	1/4	M16x1,5	19	19	Zinc-nickel
0433-0123-0804	8	1/4	M14x1,5	19	17	Zinc-nickel
0433-0123-0604	6	1/4	M12x1,5	14	19	Zinc-nickel
0433-0123-1204	12	1/4	M18x1,5	19	22	Zinc-nickel

Accessoires

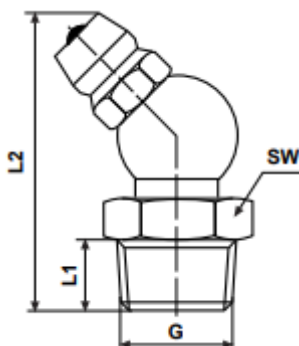
GREASE NIPPLE 180°



Partnr	G	L1	L2	SW	Material
2820-0000-0600	M6x1 con	5,5	15	7	Galvanised
2820-0000-0800	M8x1 con	5,5	15	9	Galvanised
2820-0000-1000	M10x1 con	5,5	15	11	Galvanised
2820-0100-0200	R1/8 con	5,5	15	11	Galvanised
2820-0100-0400	R1/4 con	6,5	17,5	14	Galvanised
2820-2000-0600	M6x1 con	5,5	15	7	Stainless steel 316TI
2820-2000-0800	M8x1 con	5,5	15	9	Stainless steel 316TI
2820-2000-1000	M10x1 con	5,5	15	11	Stainless steel 316TI

Accessoires

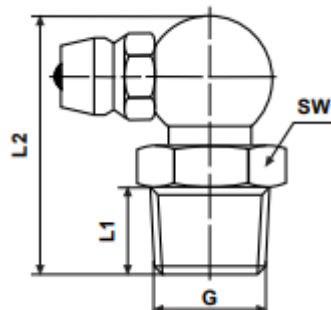
GREASE NIPPLE 45°



Partnr	G	L1	L2	SW	Material
2820-0040-1000	M10x1 con	5,5	25	11	Galvanised
2820-0140-0200	R1/8 con	5,5	25	11	Galvanised
2820-0140-0400	R1/4 con	6,5	22,5	14	Galvanised
2820-0040-0800	M8x1 con	5,5	23,5	14	Galvanised
2820-0040-0600	M6x1 con	5,5	23,5	9	Galvanised

Accessoires

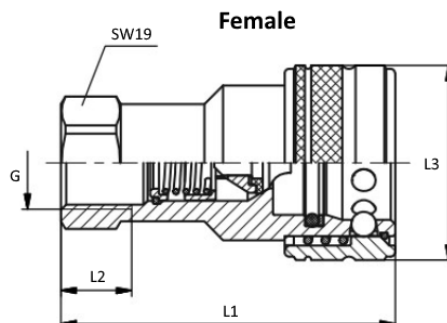
GREASE NIPPLE 90°



Partnr	G	L1	L2	SW	Material
2820-0190-0200	R1/8 con	5,5	20	11	Galvanised
2820-0090-1000	M10x1 con	5,5	20	11	Galvanised
2820-0090-0800	M8x1 con	5,5	18	9	Galvanised
2820-0190-0400	R1/4 con	6,5	22	14	Galvanised
2820-0090-0600	M6x1 con	5,5	18	6	Galvanised

Accessoires

QUICK RELEASE COUPLING FEMALE B-SERIE



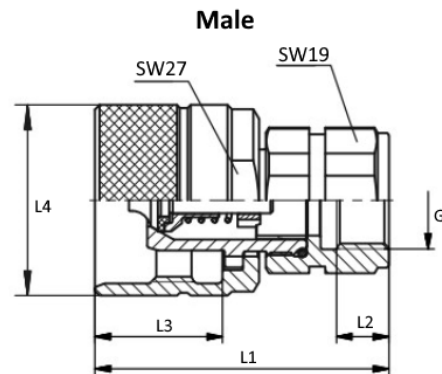
Partnr	G	L1	L2	L3	Material
0915-0000-0400 FEMALE	1/4 BSP	60	12	28	Zinc-nickel

The coupled working pressure is 250 bar

Looking for the complete set ? [Click here](#) for the male coupling.

Accessoires

SCREW QUICK RELEASE COUPLING 1/4 MALE



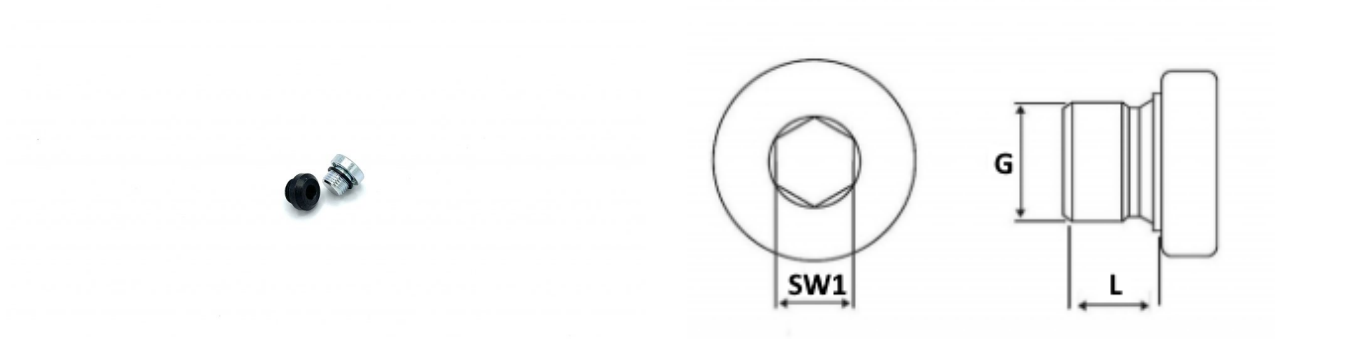
Partnr	G	L1	L2	L3	L4	Material
0907-0100-0400	1/4 BSP	58	12	25,1	30	Zinc-nickel

The coupled working pressure is 300 bar

Looking for the complete set ? [Click here](#) for the female coupling.

Accessoires

CLOSURE PLUGS

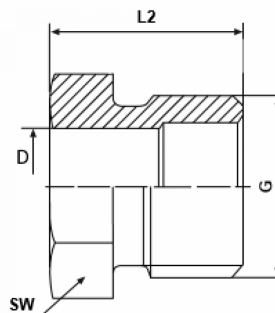


Partnr	G	L	SW1	Material
0410-0000-1000	M10x1 ED	8	5	Galvanised
0410-0100-0200	R1/8 BSP ED	8	5	Galvanised
0410-0001-1000 LINCOLN	M10x1	4,5	5	Zinc-iron
0410-2000-1000	M10x1 ED	8	5	Stainless steel 316TI
0410-2100-0200	R1/8 BSP ED	8	5	Stainless steel 316TI
0410-2001-1000 LINCOLN	M10x1	4,5	5	Stainless steel 316TI

(ED) = plugs with seal.

Accessoires

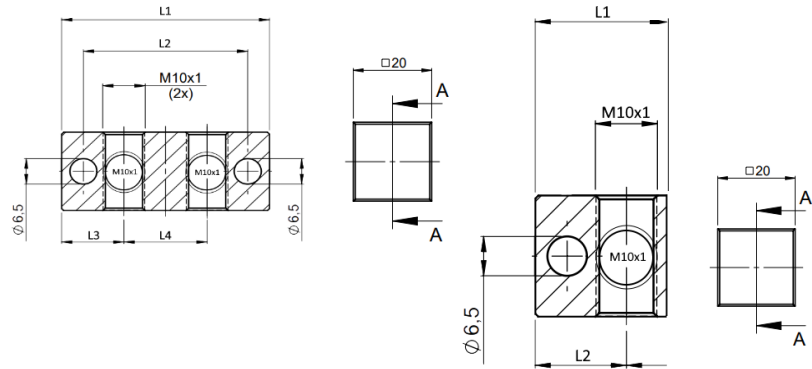
UNION SCREW



Partnr	D	G	L2	Verpakkingseenheid	Material
2873-0000-0600	6	M10x1	13	100	Zinc-nickel
2873-2000-0402	4	M8x1	12	100	Stainless steel 316Ti

Accessoires

GREASE HEADER BLOCKS T-DRILLING



Partnr	Outlets	Mounting holes	Mounting holes				Material
			L1	L2	L3	L4	
S-2825-0001-1001	1	1	38	28	20	22	Zinc-nickel
S-2825-0001-1002	2	2	60	50	20	22	Zinc-nickel
S-2825-0001-1003	3	2	84	74	20	22	Zinc-nickel
S-2825-0001-1004	4	2	106	96	20	22	Zinc-nickel
S-2825-0001-1005	5	2	128	118	20	22	Zinc-nickel
S-2825-0001-1006	6	2	150	140	20	22	Zinc-nickel
S-2825-0001-1008	8	2	195	184	20	22	Zinc-nickel

Including VST M10x1 ED plug.

Accessoires

MANOMETER BOTTEM ENTRY



<i>Partnr</i>	<i>Bar</i>	<i>Case</i>
1255-0000-0010	0-10	Staal
1255-0000-0100	0-100	Staal
1255-0000-0250	0-250	Staal
1255-0000-0400	0-400	Staal
1255-0002-0400 SKF	0-400	Staal
1255-0000-0600	0-600	Staal

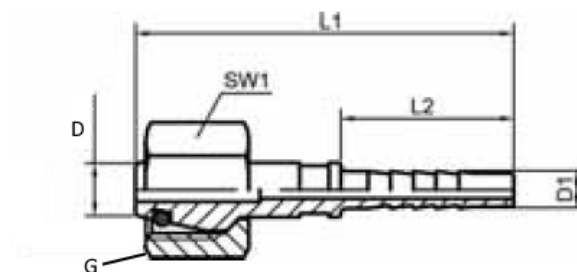
Case diameter: 63MM

Connection: 1/4 BSP brass under

These pressure gauges are available in several versions, is the desired one not listed? Please contact us for the possibilities.

Accessoires

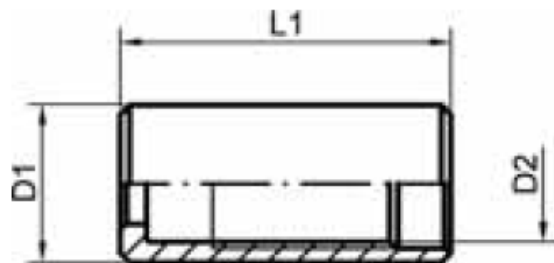
PRESS COUPLING 180 DN4



Partnr	D	D1	G	L1	L2	SW1
2801-0003-0604	6	4	M10x1	38	19	12
2801-0023-0604	6	4	M12x1,5	42,5	19	14

Accessoires

PRESS SLEEVE DN4



Partnr

2876-0000-0400

D1

12

D2

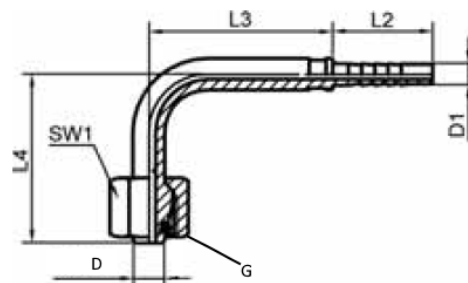
8,9

L1

25

Accessoires

PRESS COUPLING 90 DN4



Partnr	D1	G	L2	L3	L4	SW1
2801-0903-0604	6	M10x1	19	35	31.5	12
2801-0923-0604	6	M12x1,5	19	35	32,5	14

