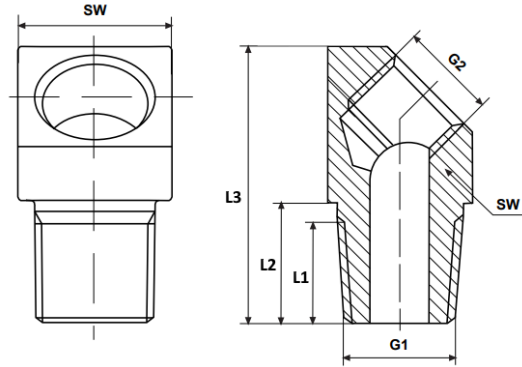


Adapters

BLOCK ADAPTER 45°



Partnr	G1	G2	L1	L2	L3	SW	Material
2852-0000-0608	M6x1 con	M8x1	6,5	10	23	12	Zinc-nickel
2852-0000-0808	M8x1 con	M8x1	6,5	10	23	13	Zinc-nickel
2852-0000-0908	M8x1,25 con	M8x1	6,5	10	23	12	Zinc-nickel
2852-0000-1008	M10x1 con	M8x1	6,5	10	23	13	Zinc-nickel
2852-0000-1010	M10x1 con	M10x1	4,5	7,5	21	13	Zinc-nickel
2852-0100-0202	R1/8 con	R1/4	5	10	23	12	Zinc-nickel
2852-0100-0404	R1/4 con	R1/4	6	10	23	13	Zinc-nickel

Elbow 45 ° for making a connection at 45 degrees to your central lubrication system. This 45 ° elbow is available in different sizes and designs, as you can find in the table below.

Material: Zinc-Nickel, Galvanized