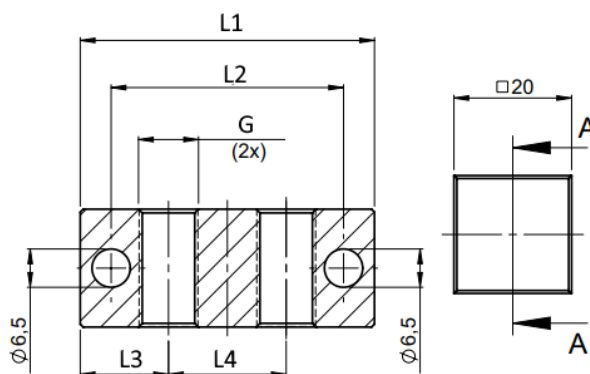


# Accessoires

## GREASE HEADER BLOCKS



| Partnr         | G     | Outlets | L1  | L2  | L3 | L4 | Material    |
|----------------|-------|---------|-----|-----|----|----|-------------|
| 2825-0000-1001 | M10x1 | 1       | 30  | 20  | 15 | 20 | Zinc-nickel |
| 2825-0000-1002 | M10x1 | 2       | 50  | 40  | 15 | 20 | Zinc-nickel |
| 2825-0000-1003 | M10x1 | 3       | 70  | 60  | 15 | 20 | Zinc-nickel |
| 2825-0000-1004 | M10x1 | 4       | 90  | 80  | 15 | 20 | Zinc-nickel |
| 2825-0000-1005 | M10x1 | 5       | 110 | 100 | 15 | 20 | Zinc-nickel |
| 2825-0000-1006 | M10x1 | 6       | 130 | 120 | 15 | 20 | Zinc-nickel |
| 2825-0000-1008 | M10x1 | 8       | 170 | 160 | 15 | 20 | Zinc-nickel |
| 2825-0000-1010 | M10x1 | 10      | 210 | 200 | 15 | 20 | Zinc-nickel |
| 2825-0100-0202 | R1/8  | 2       | 50  | 40  | 15 | 20 | Zinc-nickel |
| 2825-0100-0206 | R1/8  | 6       | 130 | 120 | 15 | 20 | Zinc-nickel |