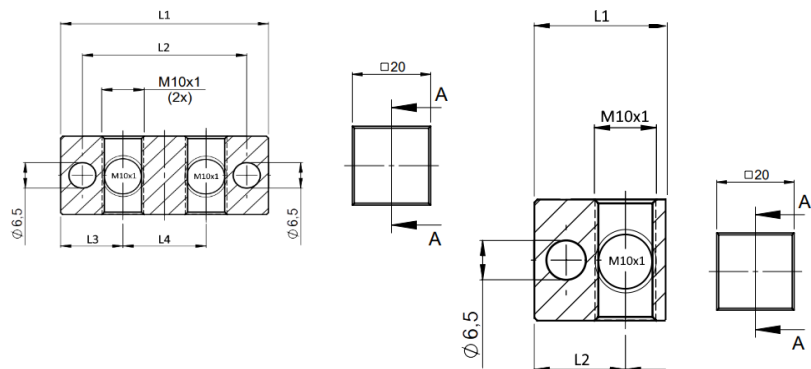


Accessoires

GREASE HEADER BLOCKS T-DRILLING



Partnr	Outlets	Mounting holes	Mounting holes				Material
			L1	L2	L3	L4	
S-2825-0001-1001	1	1	38	28	20	22	Zinc-nickel
S-2825-0001-1002	2	2	60	50	20	22	Zinc-nickel
S-2825-0001-1003	3	2	84	74	20	22	Zinc-nickel
S-2825-0001-1004	4	2	106	96	20	22	Zinc-nickel
S-2825-0001-1005	5	2	128	118	20	22	Zinc-nickel
S-2825-0001-1006	6	2	150	140	20	22	Zinc-nickel
S-2825-0001-1008	8	2	195	184	20	22	Zinc-nickel

Including VST M10x1 ED plug.