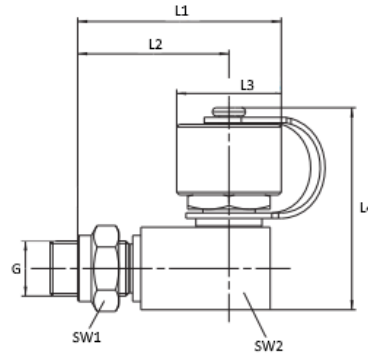


Accessoires

GREASE FILL CONNECTION 90°



Partnr	G	L1	L2	L3	L4	SW1	SW2	Material
2853-0901-2001	M20x1,5	109	91	38	73	27	30	Zink-nikkel
2853-0901-2000	M20x1,5	74	56	38	73	27	30	Zink-nikkel

Including red dust cap

Original BEKA