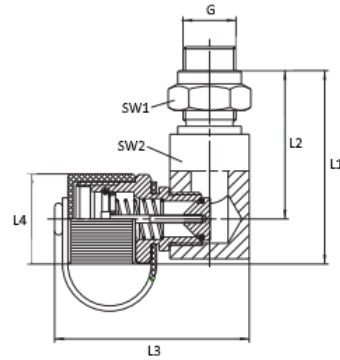


# Accessoires

## GREASE FILL CONNECTION 90° WITH VALVE



Partnr	G	L1	L2	L3	L4	SW1	SW2	Material
2853-0902-2001	M20x1,5	74	56	73	38	27	30	Zink-nikkel

Including red dust cap

Original BEKA